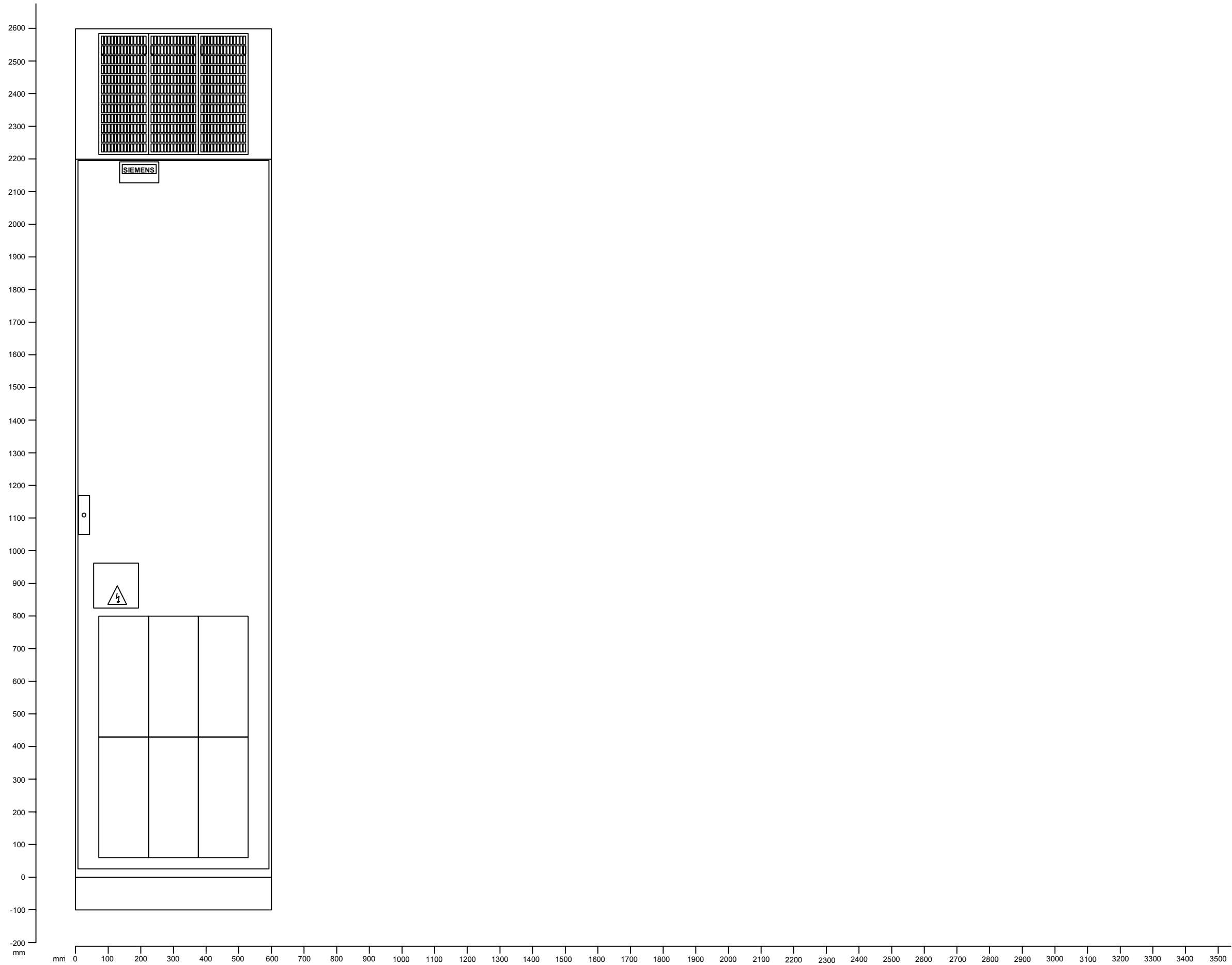


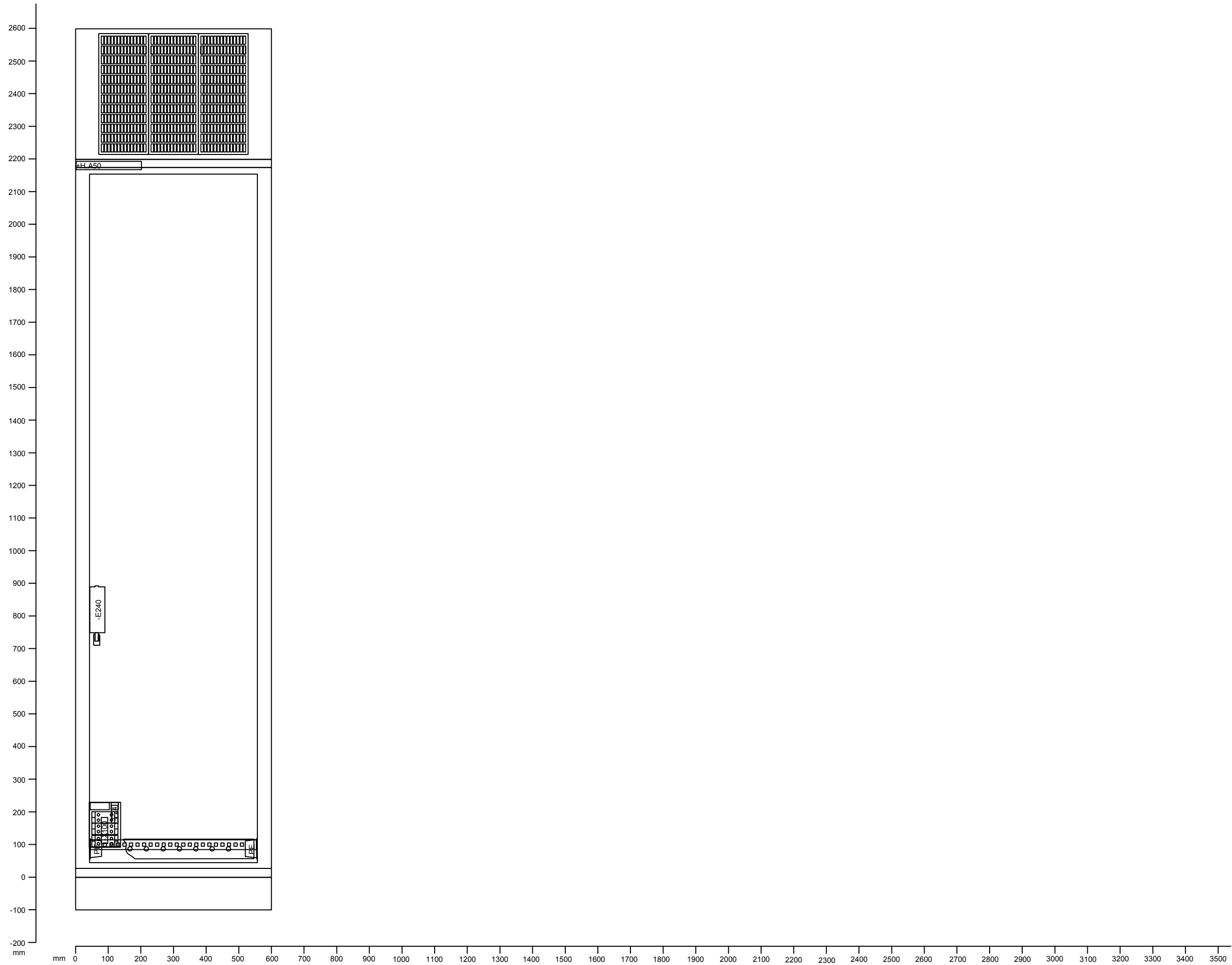
Copyright (C) Siemens AG 2003  
 Conveyed confidentially. All rights reserved.



XF9300560502021001  
 6SL3700-0ZX36-0AA3-Z  
 D02 D60 L55 M06 M27 M54  
 M56 M70 M75 T60 X30 Y11  
 Y32

				Date	03.09.2015			SIEMENS AG		SINAMICS S120 CABINET MODULE			
				Drawn	System			PD LD		XF9300560502021001			
AA		03.09.15	System	Appr.				Nuernberg Vo		CE_APP		TL - AO	
Rev.	Remarks	Date	Name	Norm	See PDM	Orig./Repl.f./Repl.by						Sh	
											1 / 1		

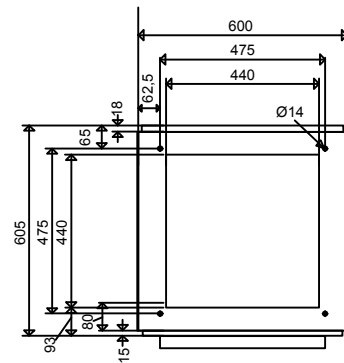
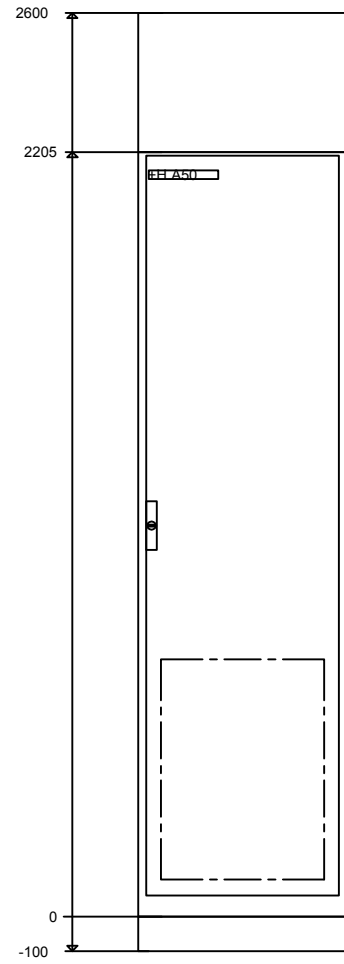
Copyright (C) Siemens AG 2003  
 Conveyed confidentially. All rights reserved.



XF9300560502021001  
 6SL3700-0ZX36-0AA3-Z  
 D02 D60 L55 M06 M27 M54  
 M56 M70 M75 T60 X30 Y11  
 Y32

				Date	03.09.2015			SIEMENS AG		SINAMICS S120 CABINET MODULE			
				Drawn	System			PD LD		XF9300560502021001			
AA		03.09.15	System	Appr.				Nuernberg Vo		CE_APP		TL - AO	
Rev.	Remarks	Date	Name	Norm	See PDM	Orig./Repl.f./Repl.by						Sh	
											1 / 1		

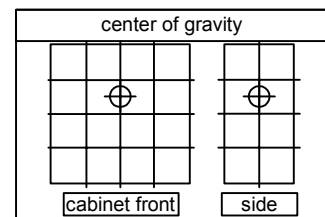
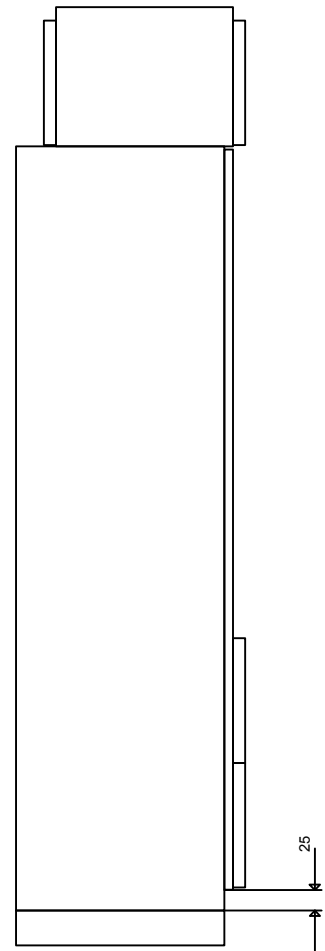
Copyright (C) Siemens AG 2003  
 Conveyed confidentially, all rights reserved.  
 Conveyed confidentially. All rights reserved.



XF9300560502021001  
 6SL3700-0ZX36-0AA3-Z  
 D02 D60 L55 M06 M27 M54  
 M56 M70 M75 T60 X30 Y11  
 Y32

				Date	03.09.2015		<b>SIEMENS AG</b> PD LD Nuernberg Vo	SINAMICS S120 CABINET MODULE				
				Drawn	System			XF9300560502021001				
AA		03.09.15	System	Appr.					CE_APP	TB - MB		Sh
Rev.	Remarks	Date	Name	Norm	See PDM	Orig./Repl.f./Repl.by					1 / 1	

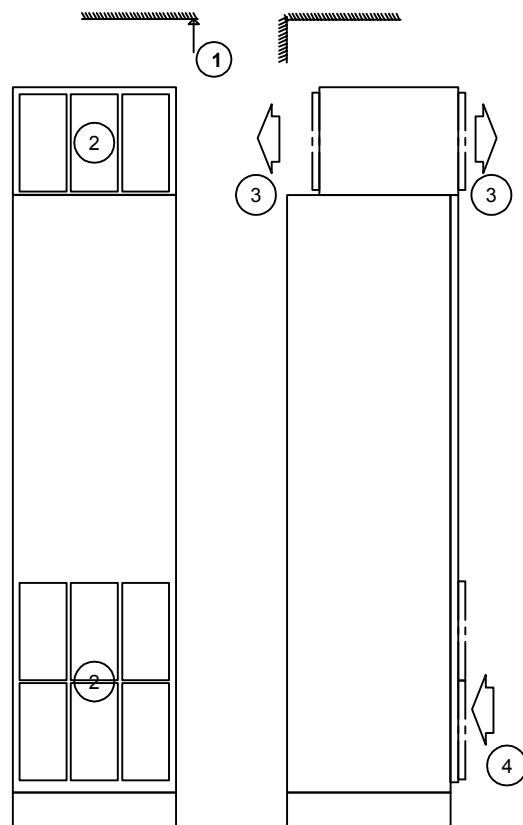
Copyright (C) Siemens AG 2003  
 Conveyed confidentially all rights reserved  
 Conveyed confidentially. All rights reserved.



XF9300560502021001  
 6SL3700-0ZX36-0AA3-Z  
 D02 D60 L55 M06 M27 M54  
 M56 M70 M75 T60 X30 Y11  
 Y32

				Date	03.09.2015		<b>SIEMENS AG</b> PD LD Nuernberg Vo	SINAMICS S120 CABINET MODULE			
				Drawn	System			XF9300560502021001			
AA		03.09.15	System	Appr.					CE_APP	TB - MB	Sh
Rev.	Remarks	Date	Name	Norm	See PDM	Orig./Repl.f./Repl.by				1 / 1	

Copyright (C) Siemens AG 2003  
 Conveyed confidentially all rights reserved  
 Conveyed confidentially. All rights reserved.

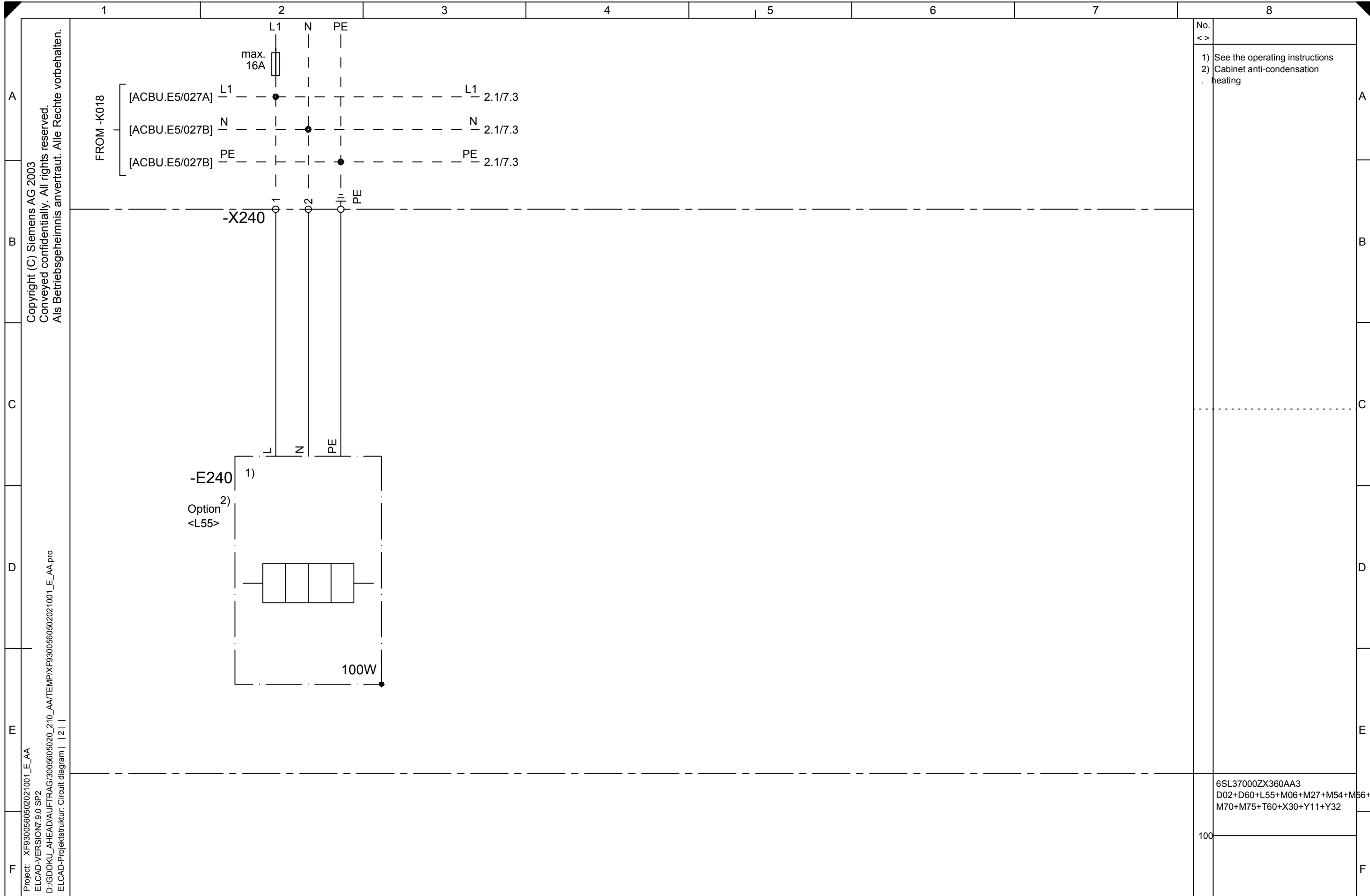


No.	⑨ IP23/IP43/IP54 ⑧ <M23> <M43> <M54>
1	Minimum distance from ceiling for wall-mounting: IP20/21 = 350mm Minimum distance from ceiling for wall-mounting: IP23/43/54 = 250mm
2	Air inlet / outlet protection
3	Air outlet
4	Air inlet
5	Cable entry possible within the grey area
6	
7	
8	< Option >
9	Degree of protection
10	
11	
12	

XF9300560502021001  
 6SL3700-0ZX36-0AA3-Z  
 D02 D60 L55 M06 M27 M54  
 M56 M70 M75 T60 X30 Y11  
 Y32

				Date	03.09.2015		<b>SIEMENS AG</b> PD LD Nuernberg Vo	SINAMICS S120 CABINET MODULE			
				Drawn	System			XF9300560502021001			
AA		03.09.15	System	Appr.					CE_APP	TB - MB	Sh
Rev.	Remarks	Date	Name	Norm	See PDM	Orig./Repl.f./Repl.by				1 / 1	

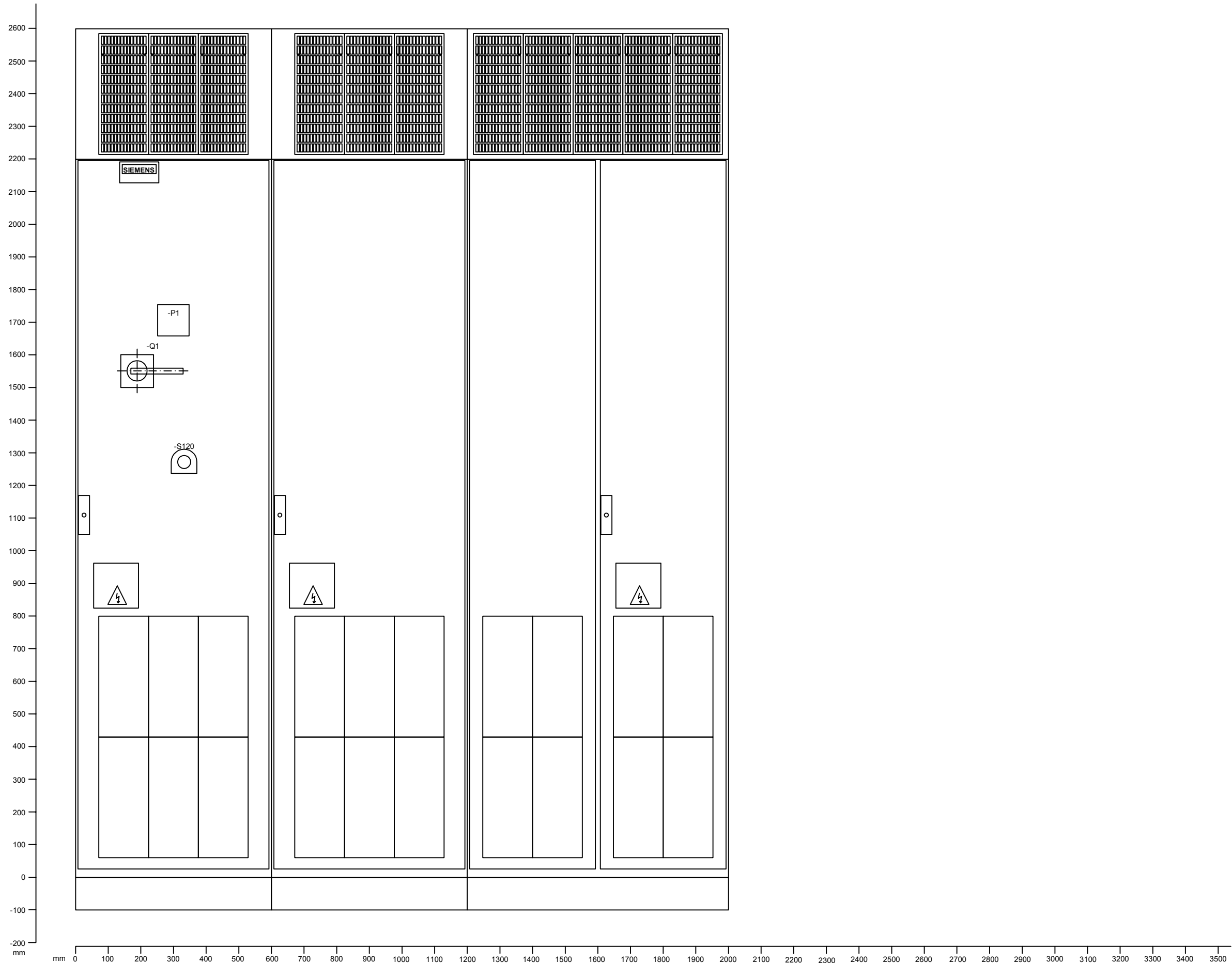




No. <>	
1)	See the operating instructions
2)	Cabinet anti-condensation heating
100	6SL37000ZX360AA3 D02+D60+L55+M06+M27+M54+M56+ M70+M75+T60+X30+Y11+Y32
1.1	
+H.A50	
Sheet2	
2 Sh	

Project: XF9300560502021001_E_AA		Date: 02.09.2015		Siemens AG		SINAMICS S120 CABINET MODULE XF9300560502021001		1.1	
ELCAD-VERSION: 9.0 SP2		Drawn: SYSTEM						+H.A50	
D:/GDOKU_AHEAD/AUFTRAG/3005605020_210_AA/TEMP/XF9300560502021001_E_AA.pro		Date: 02.09.15		PD LD		Circuit diagram		FS-SP	
ELCAD-Projektstruktur: Circuit diagram   2		Appr.:		NbgVo				Sheet2	
Rev.	Remarks	Date	Name	Norm	s. Artus-Symbol	Orig./Repl.f./Repl.by			2 Sh

Copyright (C) Siemens AG 2003  
 Conveyed confidentially. All rights reserved.

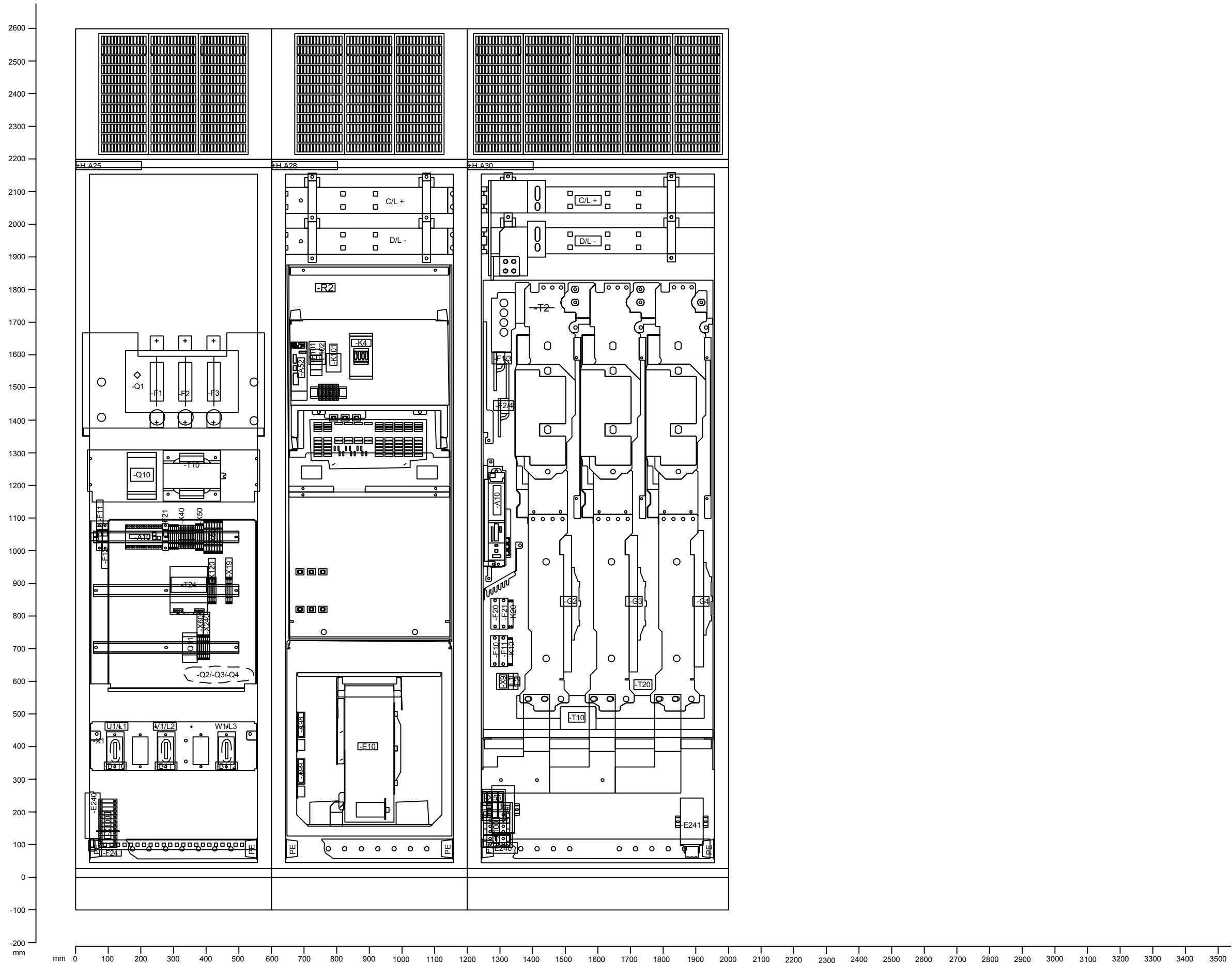


...  
 XF9300560502021201  
 6SL3700-0LG38-0AA3-Z  
 D02 D60 K76 L42 L45 L55  
 L87 M06 M54 M56 M70 P11  
 T60 X30 Y11 Y32  
 XF  
 9300560502021401  
 6SL3730-7TG37-4BA3-Z  
 D02 D60 K90 L55 M06 M54  
 M56 M82 T60 Y11 Y32

				Date	03.09.2015			SIEMENS AG		SINAMICS S120 CABINET MODULE			
				Drawn	System			PD LD		XF9300560502021201			
AA		03.09.15	System	Appr.				Nuernberg Vo		CE_LCM		TL - AO	
Rev.	Remarks	Date	Name	Norm	See PDM	Orig./Repl.f./Repl.by						Sh	
												1 / 1	



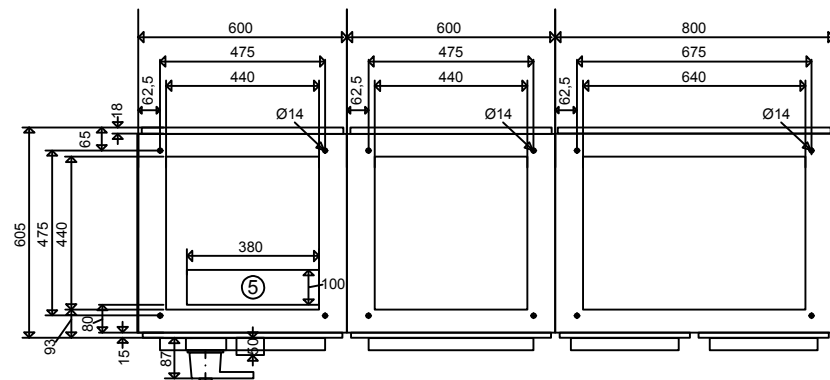
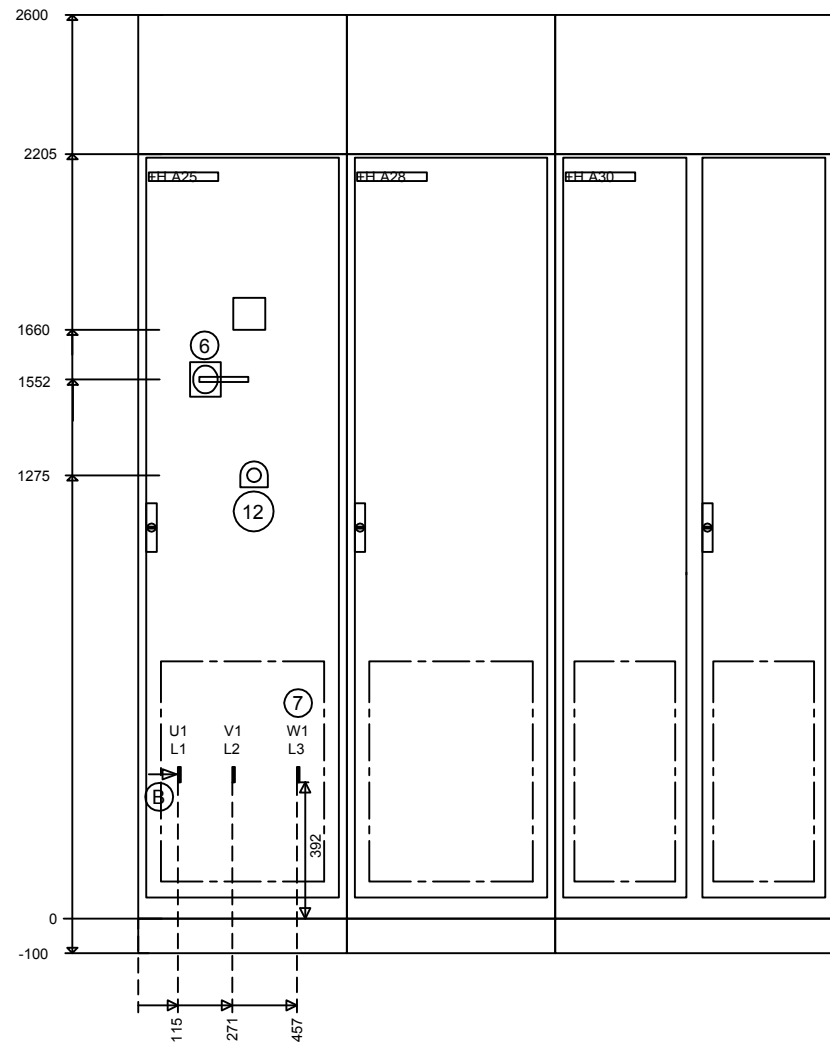
Copyright (C) Siemens AG 2003  
 Conveyed confidentially. All rights reserved.



...  
 XF9300560502021201  
 6SL3700-0LG38-0AA3-Z  
 D02 D60 K76 L42 L45 L55  
 L87 M06 M54 M56 M70 P11  
 T60 X30 Y11 Y32  
 XF  
 9300560502021401  
 6SL3730-7TG37-4BA3-Z  
 D02 D60 K90 L55 M06 M54  
 M56 M82 T60 Y11 Y32

				Date	03.09.2015	<b>SIEMENS AG</b> PD LD Nuernberg Vo		SINAMICS S120 CABINET MODULE			
				Drawn	System			XF9300560502021201			
AA		03.09.15	System	Appr.				CE_LCM		TL - AO	
Rev.	Remarks	Date	Name	Norm	See PDM	Orig./Repl.f./Repl.by				Sh 1 / 1	

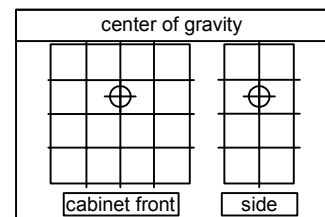
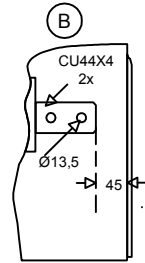
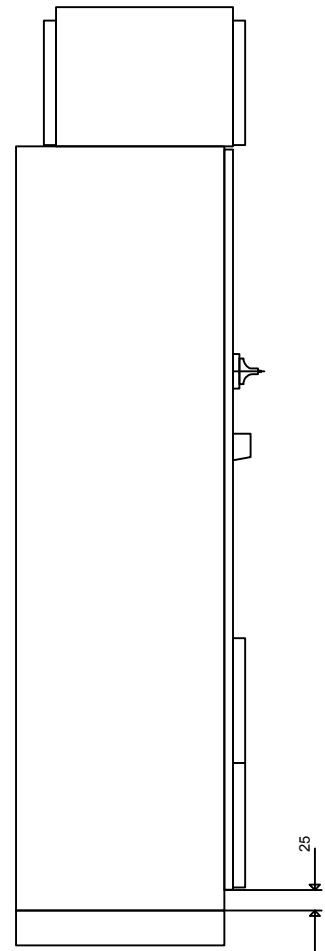
Copyright (C) Siemens AG 2003  
 Conveyed confidentially. All rights reserved.



...  
 XF9300560502021201  
 6SL3700-0LG38-0AA3-Z  
 D02 D60 K76 L42 L45 L55  
 L87 M06 M54 M56 M70 P11  
 T60 X30 Y11 Y32  
 XF  
 9300560502021401  
 6SL3730-7TG37-4BA3-Z  
 D02 D60 K90 L55 M06 M54  
 M56 M82 T60 Y11 Y32

				Date	03.09.2015							
				Drawn	System							
AA		03.09.15	System	Appr.								
Rev.	Remarks	Date	Name	Norm	See PDM	Orig./Repl.f./Repl.by						
							<b>SIEMENS AG</b> PD LD Nuernberg Vo	SINAMICS S120 CABINET MODULE				
								XF9300560502021201				
								CE_LCM	TB - MB		Sh	
										1 / 1		

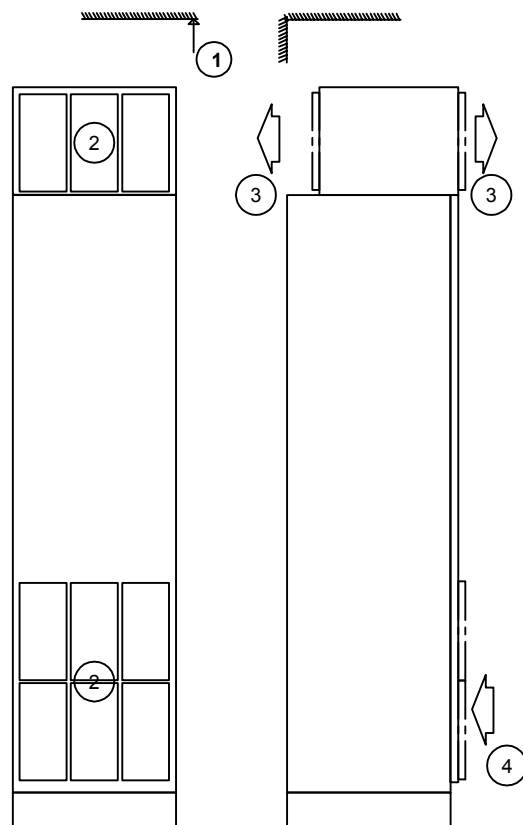
Copyright (C) Siemens AG 2003  
 Conveyed confidentially. All rights reserved.



...  
 XF9300560502021201  
 6SL3700-0LG38-0AA3-Z  
 D02 D60 K76 L42 L45 L55  
 L87 M06 M54 M56 M70 P11  
 T60 X30 Y11 Y32  
 XF  
 9300560502021401  
 6SL3730-7TG37-4BA3-Z  
 D02 D60 K90 L55 M06 M54  
 M56 M82 T60 Y11 Y32

				Date	03.09.2015		<b>SIEMENS AG</b> PD LD Nuernberg Vo	SINAMICS S120 CABINET MODULE			
				Drawn	System			XF9300560502021201			
AA		03.09.15	System	Appr.					CE_LCM	TB - MB	Sh
Rev.	Remarks	Date	Name	Norm	See PDM	Orig./Repl.f./Repl.by				1 / 1	

Copyright (C) Siemens AG 2003  
 Conveyed confidentially, all rights reserved.  
 Conveyed confidentially. All rights reserved.



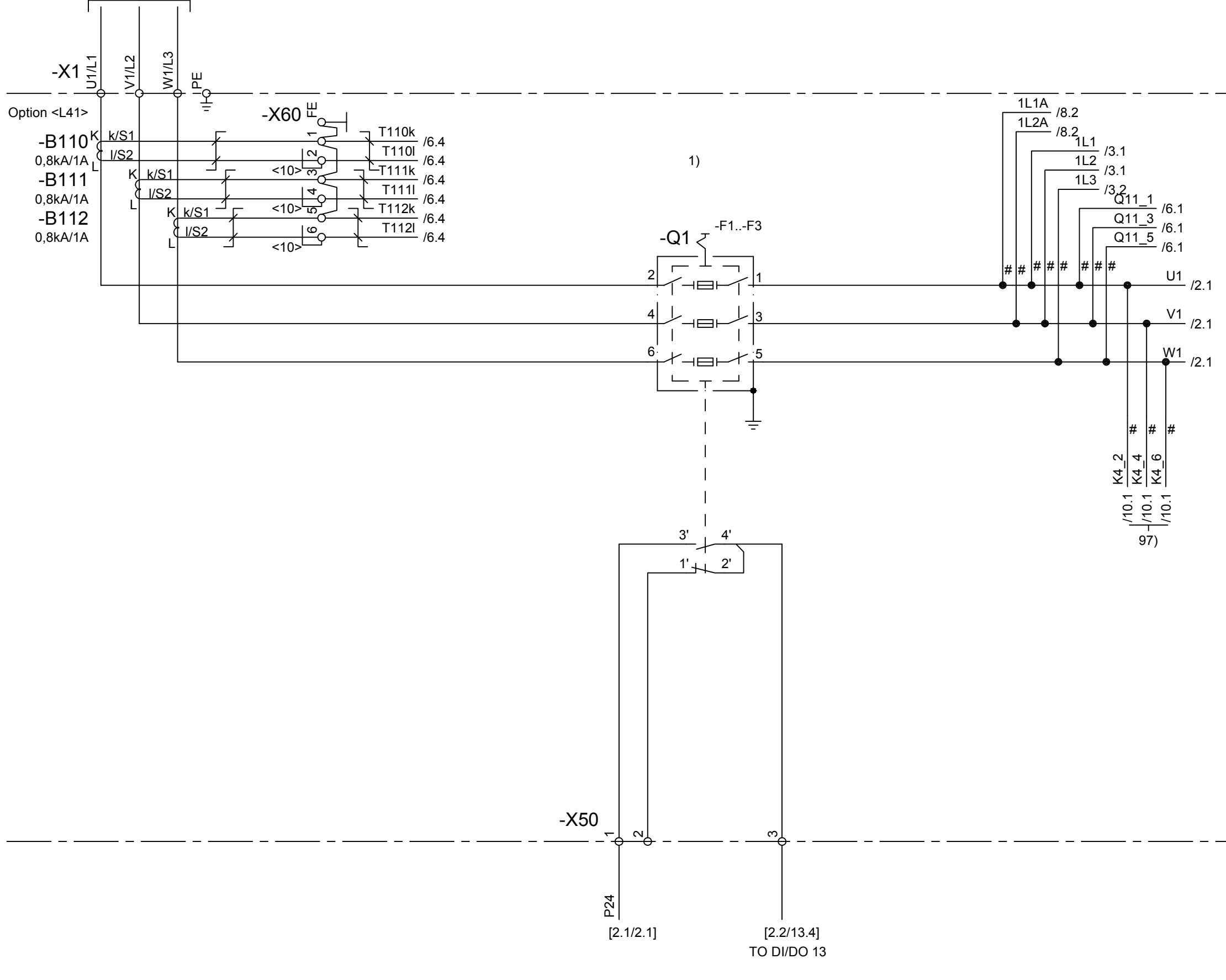
No.	⑨ IP23/IP43/IP54 ⑧ <M23> <M43> <M54>
1	Minimum distance from ceiling for wall-mounting: IP20/21 = 350mm Minimum distance from ceiling for wall-mounting: IP23/43/54 = 250mm
2	Air inlet / outlet protection
3	Air outlet
4	Air inlet
5	Cable entry possible within the grey area
6	Line breaker, can be locked with a padlock
7	Power termination, infeed from below
8	< Option >
9	Degree of protection
10	
11	
12	Emergency stop button

...  
 XF9300560502021201  
 6SL3700-0LG38-0AA3-Z  
 D02 D60 K76 L42 L45 L55  
 L87 M06 M54 M56 M70 P11  
 T60 X30 Y11 Y32  
 XF  
 9300560502021401  
 6SL3730-7TG37-4BA3-Z  
 D02 D60 K90 L55 M06 M54  
 M56 M82 T60 Y11 Y32

				Date	03.09.2015		<b>SIEMENS AG</b> PD LD Nuernberg Vo	SINAMICS S120 CABINET MODULE				
				Drawn	System			XF9300560502021201				
AA		03.09.15	System	Appr.					CE_LCM	TB - MB		Sh
Rev.	Remarks	Date	Name	Norm	See PDM	Orig./Repl.f./Repl.by					1 / 1	

Copyright (C) Siemens AG 2003  
 Conveyed confidentially. All rights reserved.  
 Als Betriebsgeheimnis anvertraut. Alle Rechte vorbehalten.  
 Project: XF9300560502021201\_E\_AA  
 ELCAD-VERSION: 9.0 SP2  
 D:/GDOKU\_AHEAD/AUFTRAG/3005605020\_212\_AA/TEMP/XF9300560502021201\_E\_AA.pro  
 ELCAD-Projektstruktur: Circuit diagram | 1 | |

500-690V  
[=MCBU.D1/017B]



No. <>
1) Main circuit-breaker
<10> Short circuit jumper
97) Connection to Infeed
# Short circuit-proof configuration

6SL37000LG380AA3 D02+D60+K76+L42+L45+L55+L87+ M06+M54+M56+M70+P11+T60+X30+ Y11+Y32
100

	Date	02.09.2015	<b>Siemens AG</b> PD LD NbgVo		SINAMICS S120 CABINET MODULE XF9300560502021201 Circuit diagram	2.1		
AA	Drawn	SYSTEM				+H.A25		
Rev.	Remarks	Date	Name	Norm	s. Artus-Symbol	Orig./Repl.f./Repl.by	FS-SP	Sheet1 15 Sh.

Copyright (C) Siemens AG 2003  
 Conveyed confidentially. All rights reserved.  
 Als Betriebsgeheimnis anvertraut. Alle Rechte vorbehalten.

Project: XF9300560502021201\_E\_AA  
 ELCAD-VERSION: 9.0 SP2  
 D:/GDOKU\_AHEAD/AUFTRAG/3005605020\_212\_AA/TEMP/XF9300560502021201\_E\_AA.pro  
 ELCAD-Projektstruktur: Circuit diagram | 2 | |

1 2 3 4 5 6 7 8

A

B

C

D

E

F

A

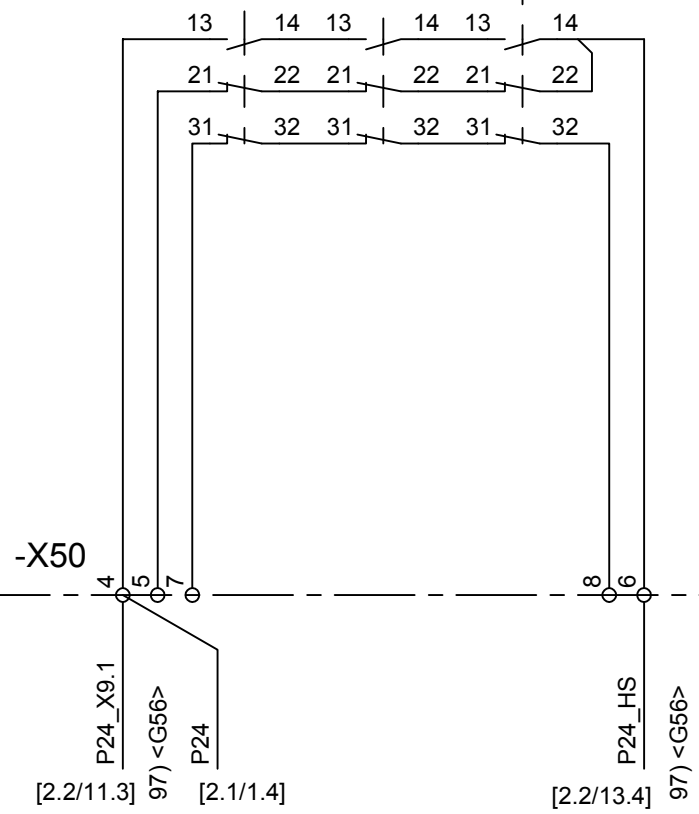
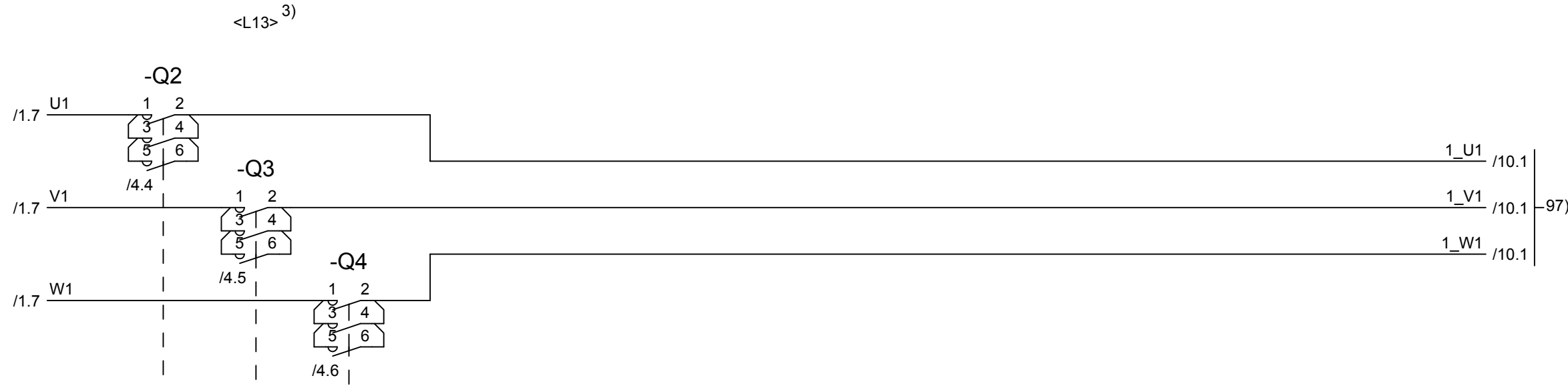
B

C

D

E

F



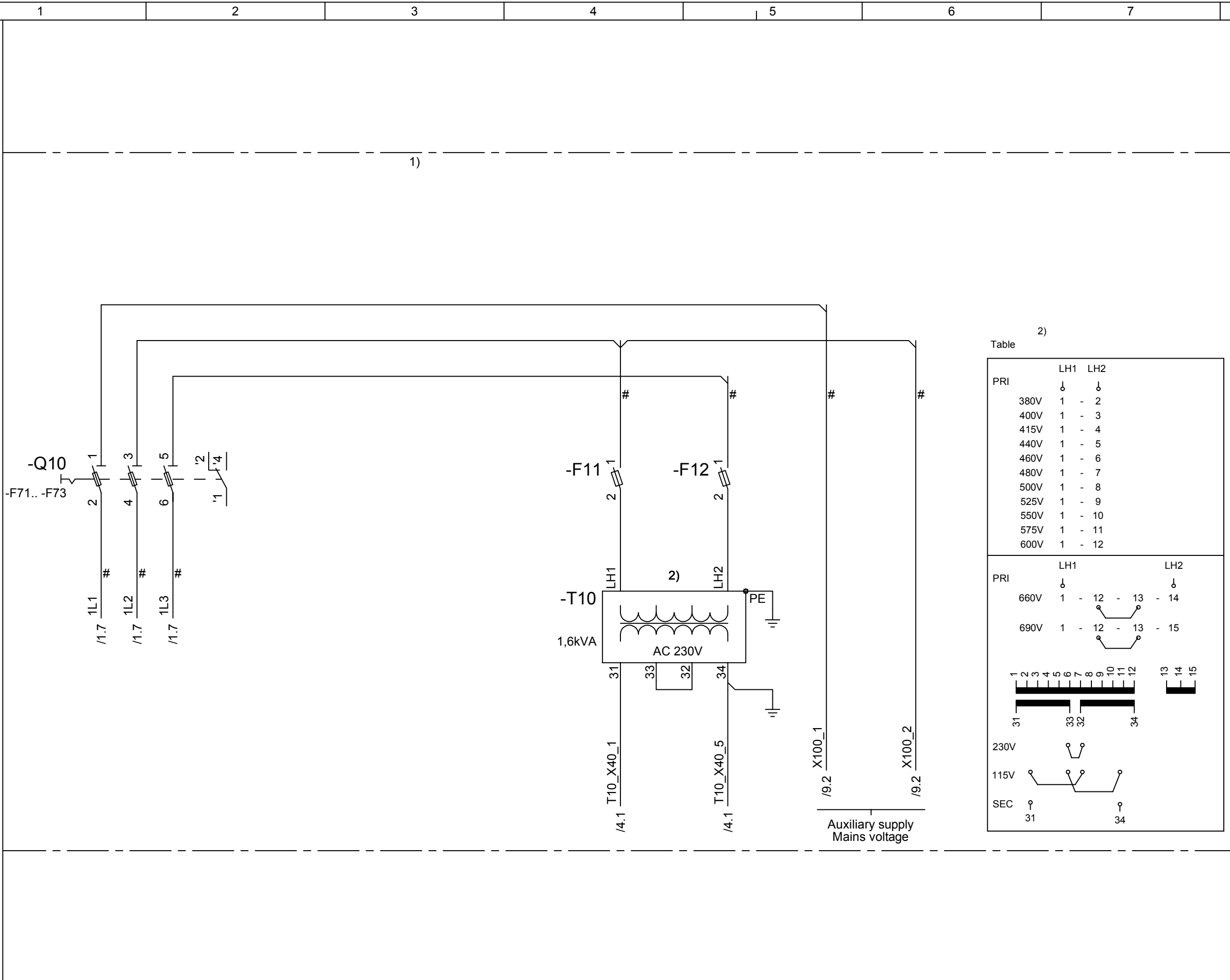
No. <>	
3)	Main contactor
97)	Connection to Infeed
100	6SL37000LG380AA3 D02+D60+K76+L42+L45+L55+L87+ M06+M54+M56+M70+P11+T60+X30+ Y11+Y32
2.1	
+H.A25	

Date	02.09.2015	Siemens AG	SINAMICS S120 CABINET MODULE XF9300560502021201	2.1
Drawn	SYSTEM			+H.A25
AA	-	02.09.15	Syst. Appr.	
Rev.	Remarks	Date	Name	Norm
1			s. Artus-Symbol	Orig./Repl.f./Repl.by
2				
3				
4				
5				
6				
7				
8				

Sheet 2 of 15  
 FS-SP  
 Circuit diagram

Copyright (C) Siemens AG 2003  
 Conveyed confidentially. All rights reserved.  
 Als Betriebsgeheimnis anvertraut. Alle Rechte vorbehalten.

Project: XF9300560502021201\_E\_AA  
 ELCAD-VERSION: 9.0 SP2  
 D:/GDOKU\_AHEAD/AUFTRAG/3005605020\_212\_AA/TEMP/XF9300560502021201\_E\_AA.pro  
 ELCAD-Projektstruktur: Circuit diagram | 3 | 1



2)  
Table

PRI	LH1	LH2
380V	1 - 2	
400V	1 - 3	
415V	1 - 4	
440V	1 - 5	
460V	1 - 6	
480V	1 - 7	
500V	1 - 8	
525V	1 - 9	
550V	1 - 10	
575V	1 - 11	
600V	1 - 12	

PRI	LH1	LH2
660V	1 - 12 - 13 - 14	
690V	1 - 12 - 13 - 15	

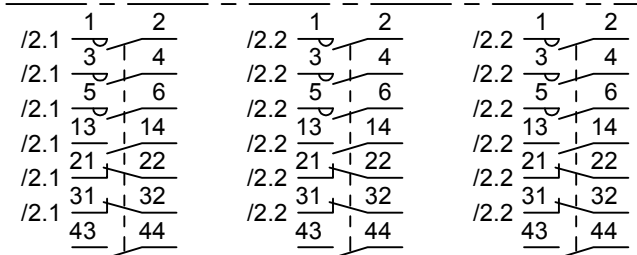
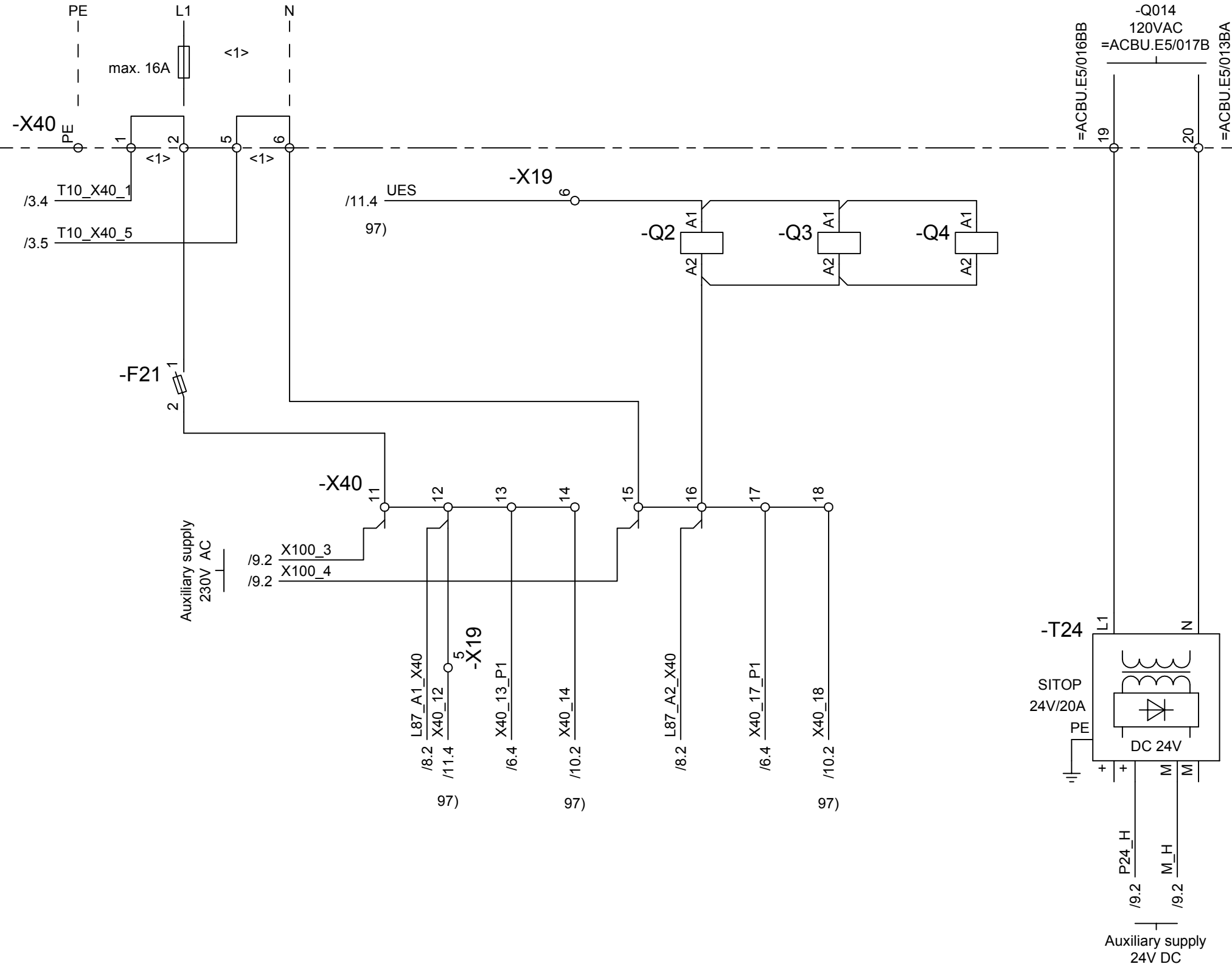
No. <>  
 1) 230V AC auxiliary power supply  
 2) For connection, see table  
 # Short circuit-proof configuration

6SL37000LG380AA3  
 D02+D60+K76+L42+L45+L55+L87+  
 M06+M54+M56+M70+P11+T60+X30+  
 Y11+Y32

100

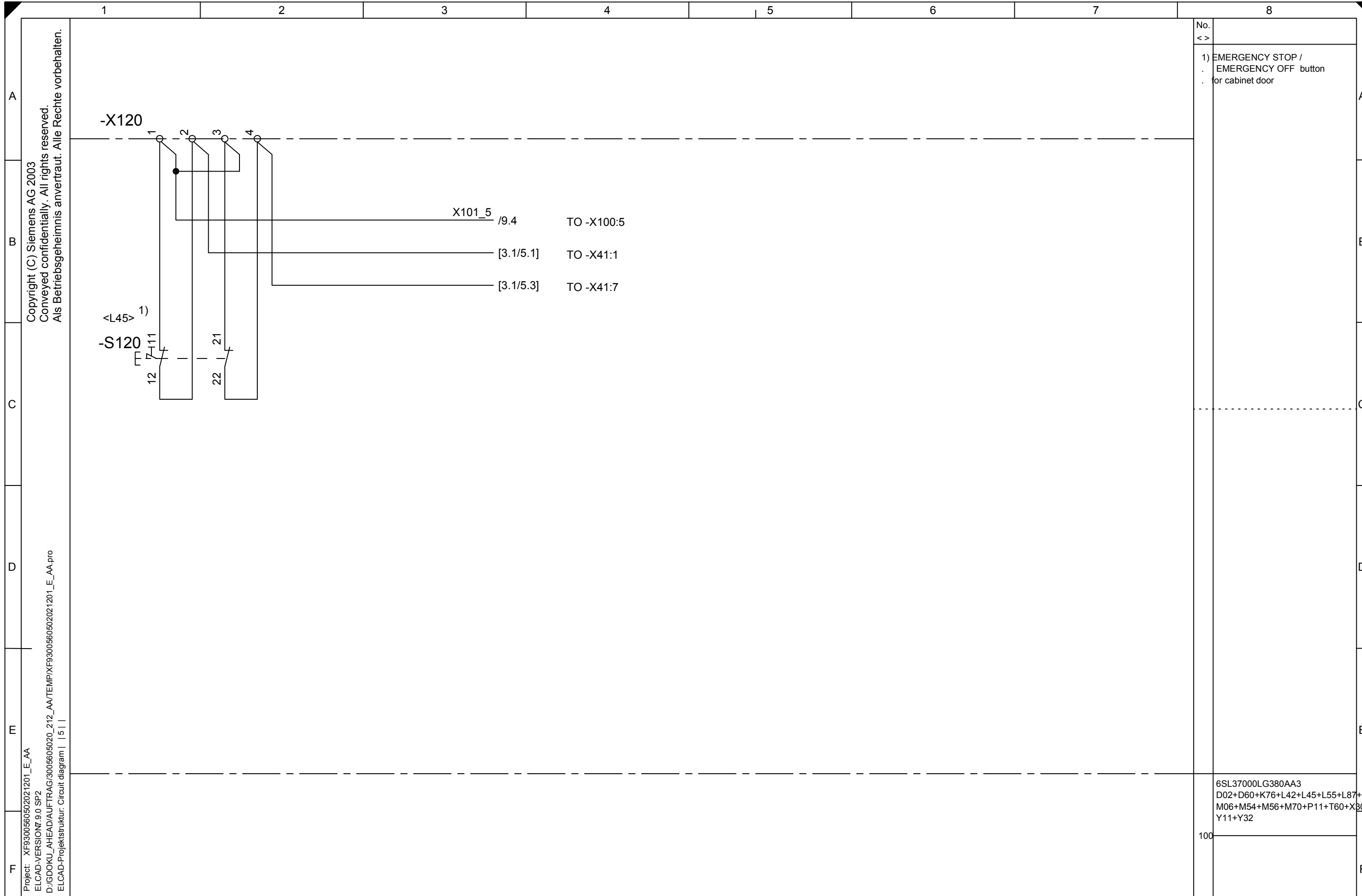
Copyright (C) Siemens AG 2003  
 Conveyed confidentially. All rights reserved.  
 Als Betriebsgeheimnis anvertraut. Alle Rechte vorbehalten.

Project: XF9300560502021201\_E\_AA  
 ELCAD-VERSION: 9.0 SP2  
 D:/GDOKU\_AHEAD/AUFTRAG/3005605020\_212\_AA/TEMP/XF9300560502021201\_E\_AA.pro  
 ELCAD-Projektstruktur: Circuit diagram | 4 |



No. <>	
97	Connection to Infeed
98	Connection to Infeed 2
100	6SL37000LG380AA3 D02+D60+K76+L42+L45+L55+L87+ M06+M54+M56+M70+P11+T60+X30+ Y11+Y32





Copyright (C) Siemens AG 2003  
 Conveyed confidentially. All rights reserved.  
 Als Betriebsgeheimnis anvertraut. Alle Rechte vorbehalten.

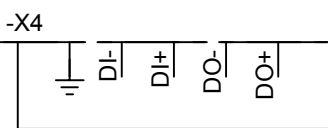
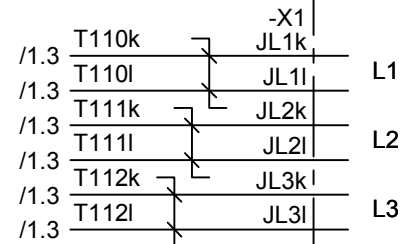
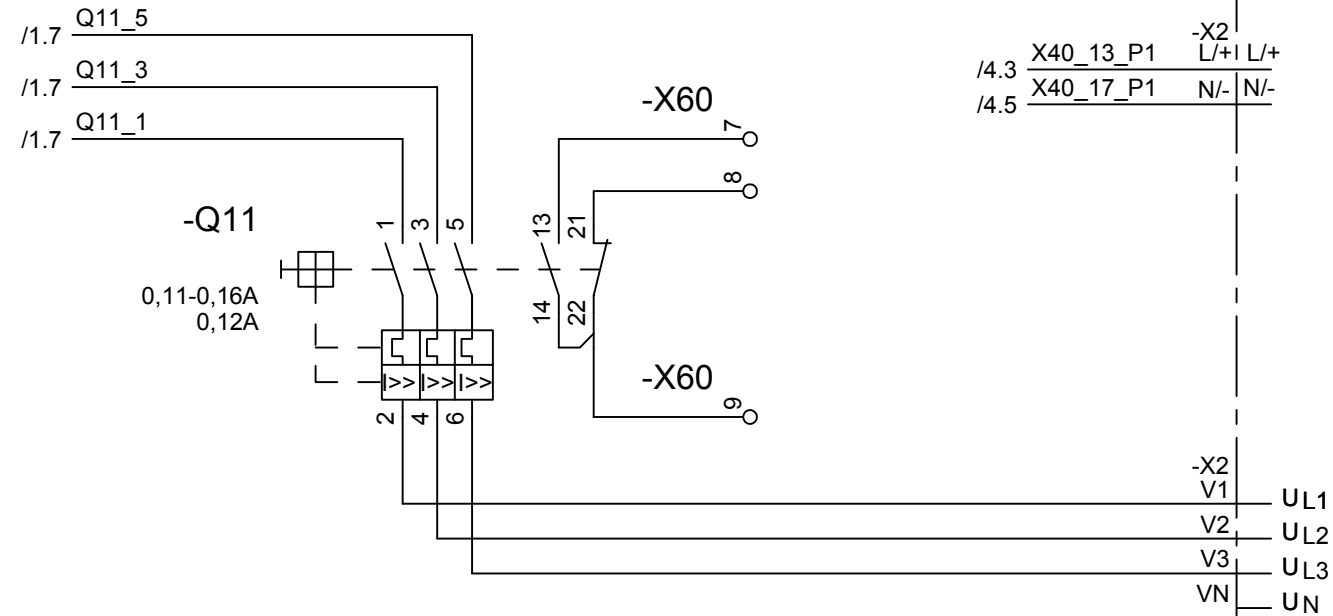
Project: XF9300560502021201\_E\_AA  
 ELCAD-VERSION: 9.0 SP2  
 D:/GDOKU\_AHEAD/AUFTRAG/3005605020\_212\_AA/TEMP/XF9300560502021201\_E\_AA.pro  
 ELCAD-Projektstruktur: Circuit diagram | 5 |

No. <>	1) EMERGENCY STOP / EMERGENCY OFF button for cabinet door
100	6SL37000LG380AA3 D02+D60+K76+L42+L45+L55+L87+ M06+M54+M56+M70+P11+T60+X30+ Y11+Y32

Date	02.09.2015	<b>Siemens AG</b> PD LD NbgVo	SINAMICS S120 CABINET MODULE XF9300560502021201	2.1	
Drawn	SYSTEM			+H.A25	
AA	-	02.09.15	System	Appr.	
Rev.	Remarks	Date	Name	Norm	s. Artus-Symbol
1					Orig./Repl.f./Repl.by
			Circuit diagram		FS-SP
				Sheet 5 of 15	

Copyright (C) Siemens AG 2003  
 Conveyed confidentially. All rights reserved.  
 Als Betriebsgeheimnis anvertraut. Alle Rechte vorbehalten.

Project: XF9300560502021201\_E\_AA  
 ELCAD-VERSION: 9.0 SP2  
 D:/GDOKU\_AHEAD/AUFTRAG/3005605020\_212\_AA/TEMP/XF9300560502021201\_E\_AA.pro  
 ELCAD-Projektstruktur: Circuit diagram | 6 |



SIEMENS  
 PAC 3200

LAN =ACBU.M2/018D

PROFIBUS

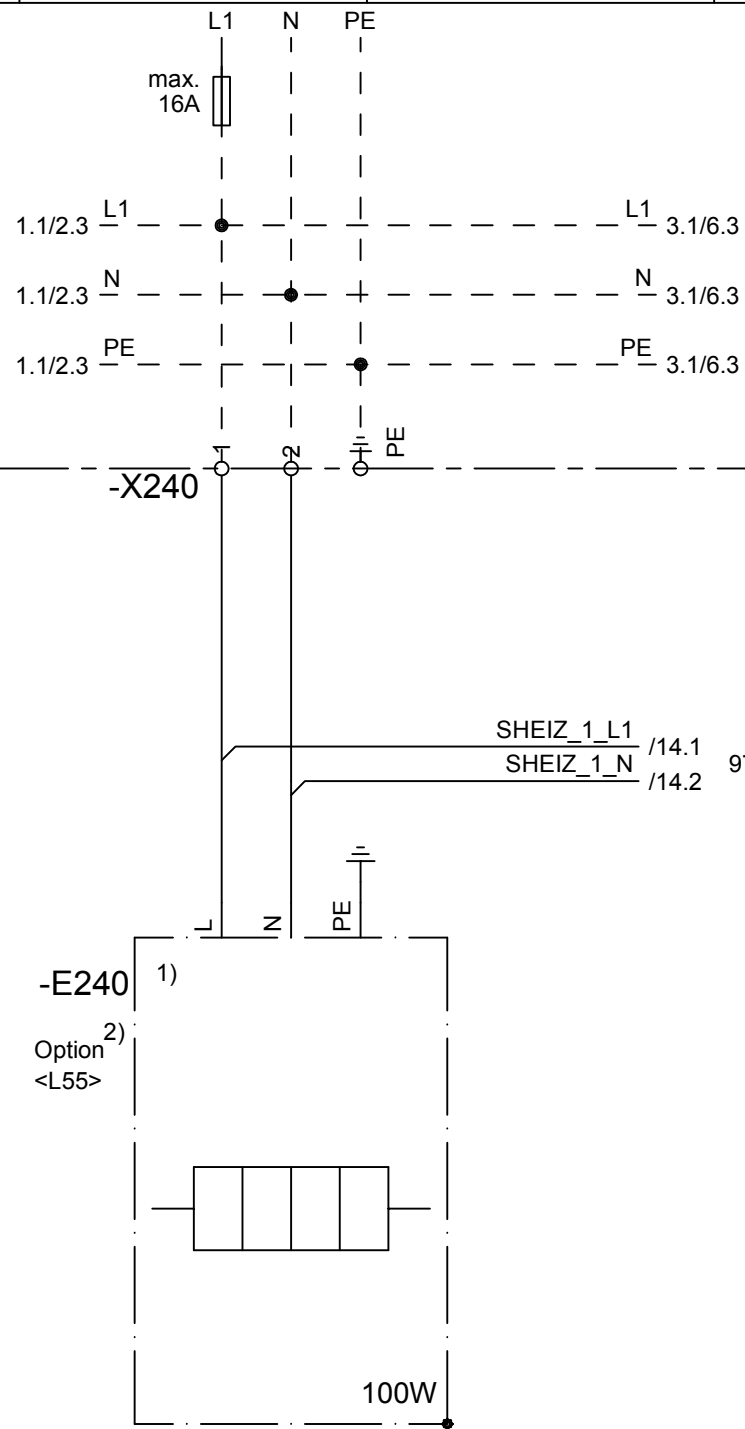


No. <>	
1)	See the operating instructions
100	6SL37000LG380AA3 D02+D60+K76+L42+L45+L55+L87+ M06+M54+M56+M70+P11+T60+X30+ Y11+Y32

				Date	02.09.2015	Siemens AG		SINAMICS S120 CABINET MODULE XF9300560502021201		2.1	
				Drawn	SYSTEM					+H.A25	
AA	-	02.09.15	Syst.	Appr.						Sheet 6	
Rev.	Remarks	Date	Name	Norm	s. Artus-Symbol	Orig./Repl.f./Repl.by	Circuit diagram		FS-SP		15 Sh.

Copyright (C) Siemens AG 2003  
 Conveyed confidentially. All rights reserved.  
 Als Betriebsgeheimnis anvertraut. Alle Rechte vorbehalten.

Project: XF9300560502021201\_E\_AA  
 ELCAD-VERSION: 9.0 SP2  
 D:/GDOKU\_AHEAD/AUFTRAG/3005605020\_212\_AA/TEMP/XF9300560502021201\_E\_AA.pro  
 ELCAD-Projektstruktur: Circuit diagram | 7 |

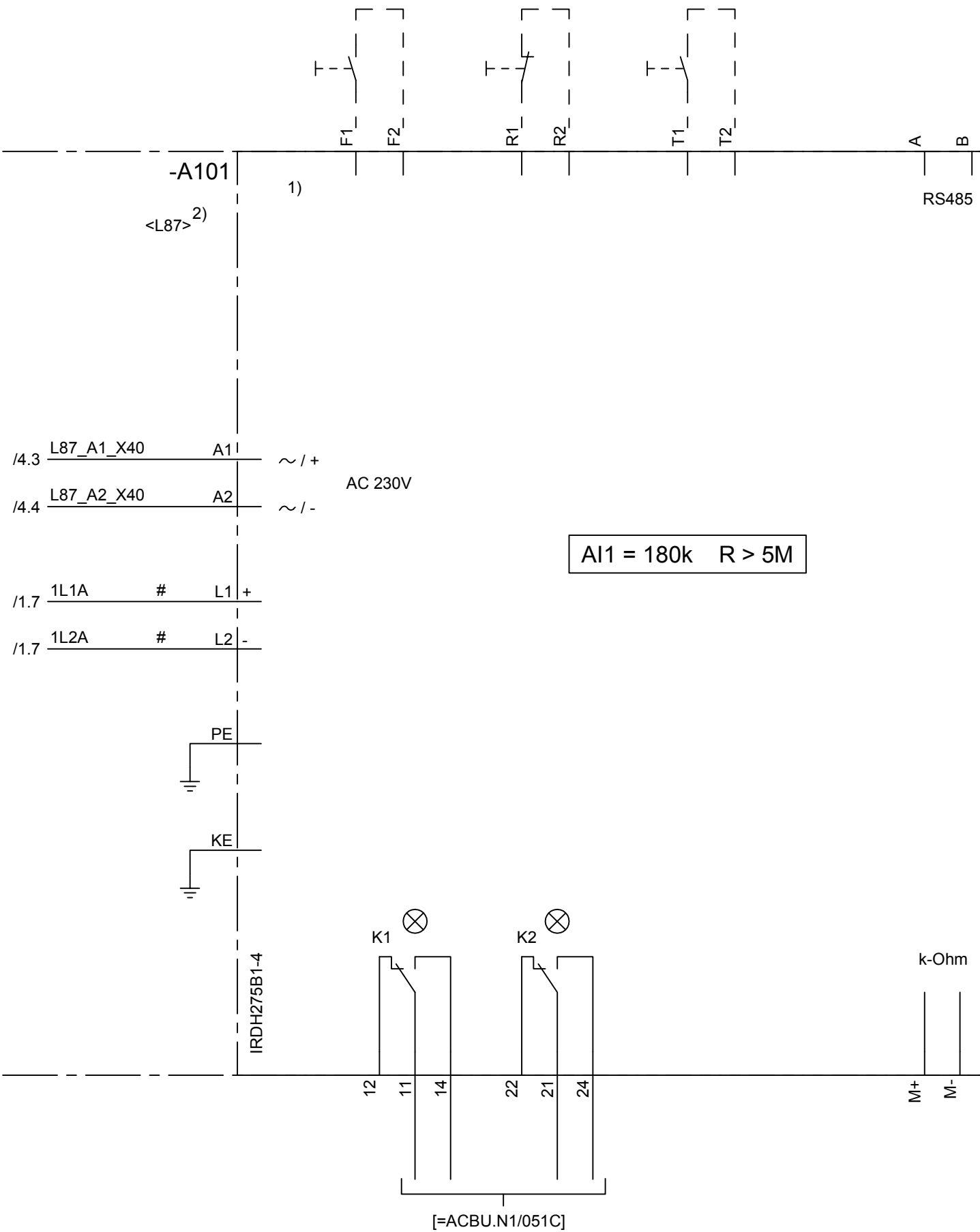


No. <>	
1)	See the operating instructions
2)	Cabinet anti-condensation heating
97)	Connection to Infeed
100	6SL37000LG380AA3 D02+D60+K76+L42+L45+L55+L87+ M06+M54+M56+M70+P11+T60+X30+ Y11+Y32

Date		02.09.2015		Siemens AG		SINAMICS S120 CABINET MODULE XF9300560502021201		2.1	
Drawn		SYSTEM						+H.A25	
AA	-	02.09.15	Syst.	Appr.		Circuit diagram		FS-SP	
Rev.	Remarks	Date	Name	Norm	s. Artus-Symbol	Orig./Repl.f./Repl.by		Sheet 7 of 15	

Copyright (C) Siemens AG 2003  
 Conveyed confidentially. All rights reserved.  
 Als Betriebsgeheimnis anvertraut. Alle Rechte vorbehalten.

Project: XF9300560502021201\_E\_AA  
 ELCAD-VERSION: 9.0 SP2  
 D:/GDOKU\_AHEAD/AUFTRAG/3005605020\_212\_AA/TEMP/XF9300560502021201\_E\_AA.pro  
 ELCAD-Projektstruktur: Circuit diagram | 8 | |



- No. <>
- 1) See the operating instructions
  - 2) Insulation monitor
  - # Short circuit-proof configuration

6SL37000LG380AA3  
 D02+D60+K76+L42+L45+L55+L87+  
 M06+M54+M56+M70+P11+T60+X30+  
 Y11+Y32

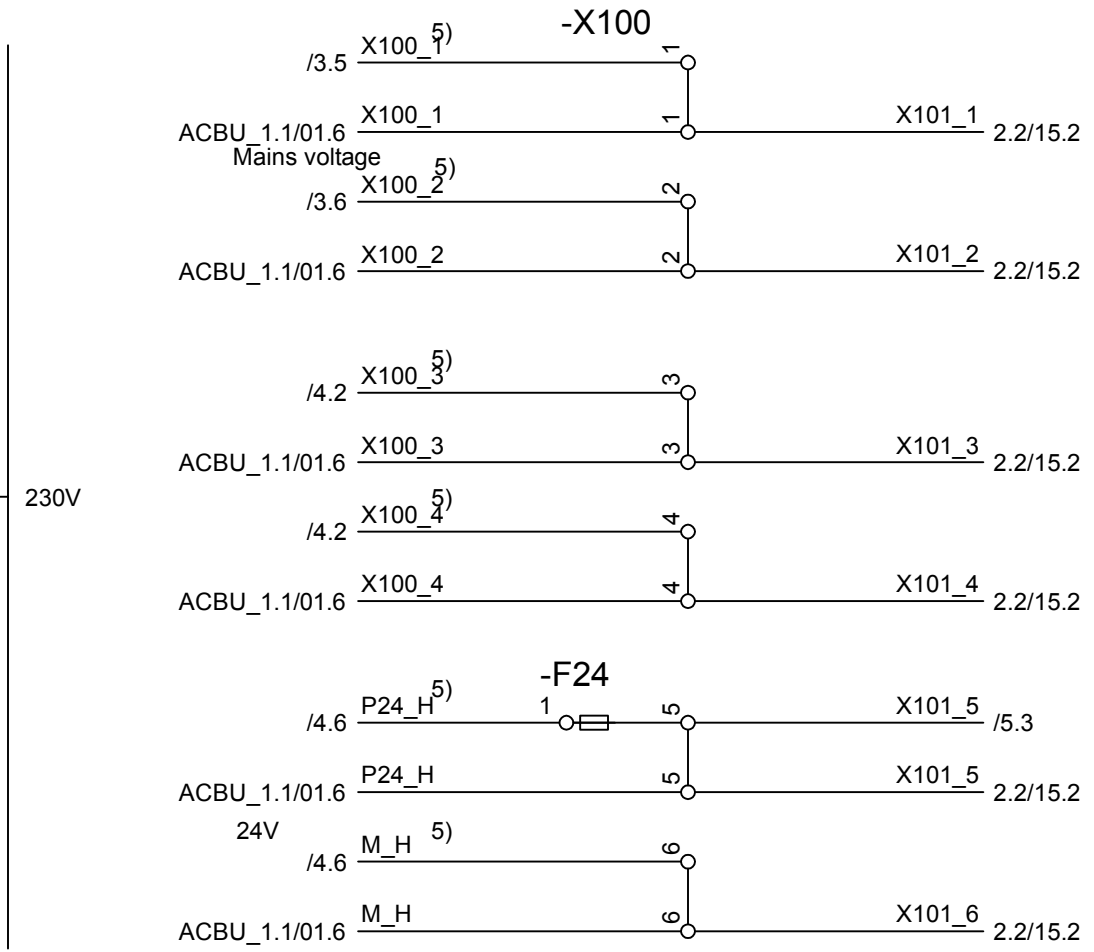
Date	02.09.2015	Siemens AG		SINAMICS S120 CABINET MODULE	2.1			
Drawn	SYSTEM	PD LD NbgVo		XF9300560502021201	+H.A25			
AA	-	02.09.15	Syst. Appr.	Circuit diagram	FS-SP			
Rev.	Remarks	Date	Name	Norm	s. Artus-Symbol	Orig./Repl.f./Repl.by	Sheet 8	15 Sh.

A  
B  
C  
D  
E  
F

Copyright (C) Siemens AG 2003  
 Conveyed confidentially. All rights reserved.  
 Als Betriebsgeheimnis anvertraut. Alle Rechte vorbehalten.

Project: XF9300560502021201\_E\_AA  
 ELCAD-VERSION: 9.0 SP2  
 D:/GDOKU\_AHEAD/AUFTRAG/3005605020\_212\_AA/TEMP/XF9300560502021201\_E\_AA.pro  
 ELCAD-Projektstruktur: Circuit diagram | 9 |

Auxiliary supply



No. <>	
5)	LCM - Option K76
100	6SL37000LG380AA3 D02+D60+K76+L42+L45+L55+L87+ M06+M54+M56+M70+P11+T60+X30+ Y11+Y32
2.1	
+H.A25	
Sheet 9	

Date	02.09.2015	Siemens AG	SINAMICS S120 CABINET MODULE XF9300560502021201	2.1					
Drawn	SYSTEM			+H.A25					
AA	-	02.09.15	Syst. Appr.						
Rev.	Remarks	Date	Name	Norm	s. Artus-Symbol	Orig./Repl.f./Repl.by	Circuit diagram	FS-SP	Sheet 9
1									15 Sh

Copyright (C) Siemens AG 2003  
 Conveyed confidentially. All rights reserved.  
 Als Betriebsgeheimnis anvertraut. Alle Rechte vorbehalten.

Project: XF9300560502021201\_E\_AA  
 ELCAD-VERSION: 9.0 SP2  
 D:/GDOKU\_AHEAD/AUFTRAG/3005605020\_212\_AA/TEMP/9300560502021201\_E\_AA.pro  
 ELCAD-Projektstruktur: Circuit diagram | 10 |

1 2 3 4 5 6 7 8

A

B

C

D

E

F

No. <>  
 1) See the operating instructions  
 5) if IT-grid  
 . remove grounding clip  
 .  
 # Short circuit-proof  
 . configuration

A

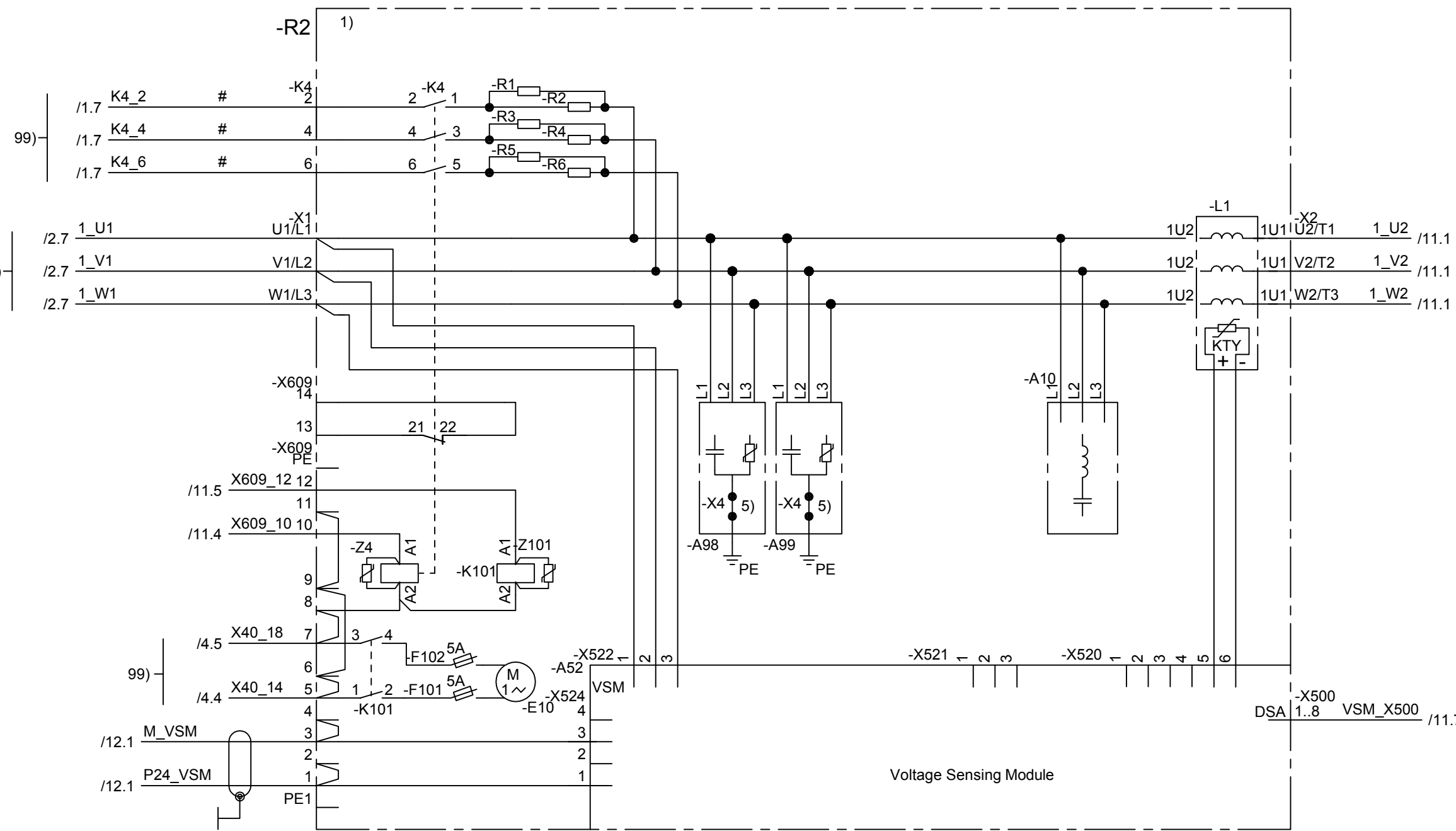
B

C

D

E

F



Voltage Sensing Module

6SL37307TG374BA3  
 D02+D60+K90+L55+M06+M54+M56+  
 M82+T60+Y11+Y32

100

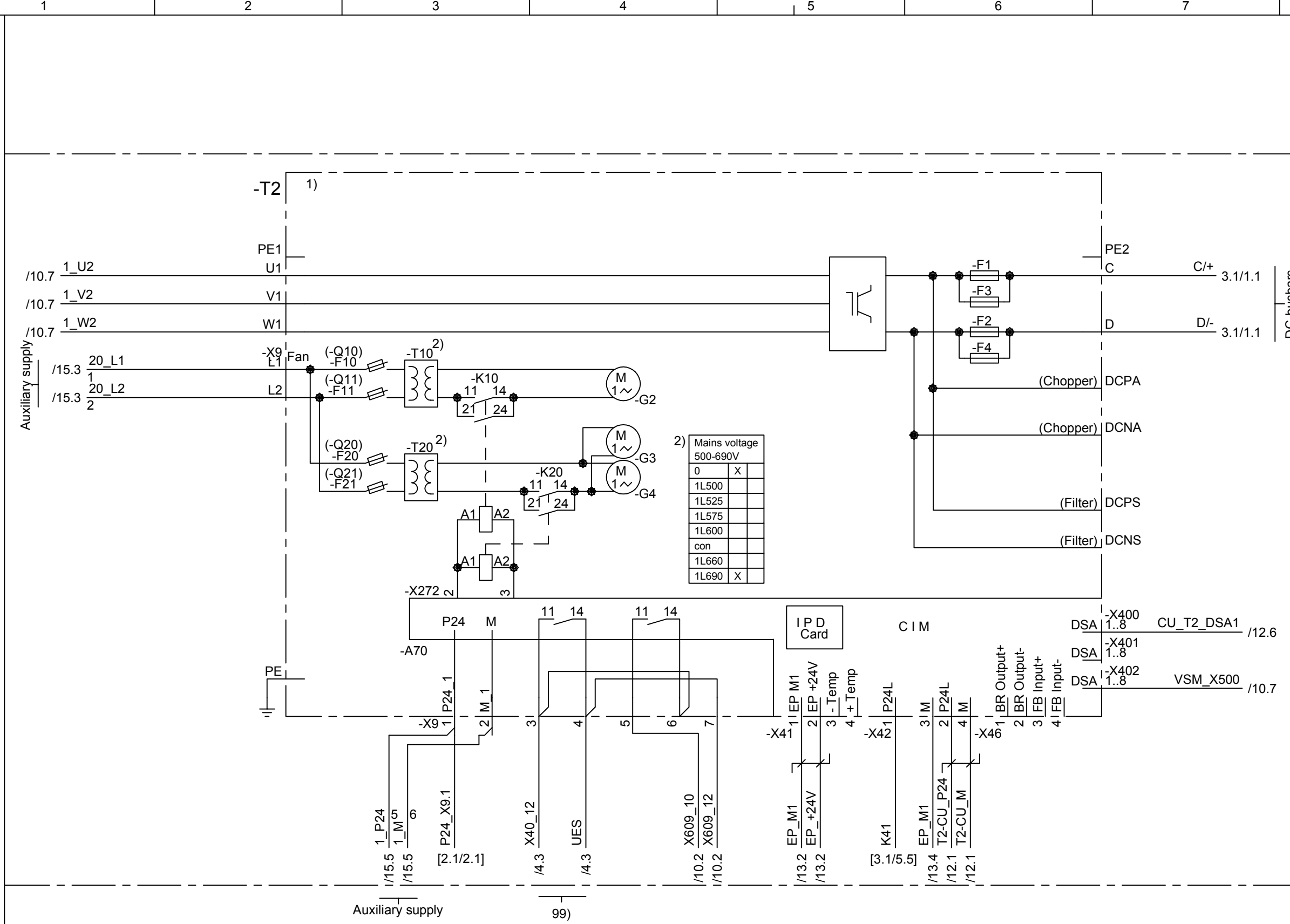
Date	02.09.2015	Siemens AG		SINAMICS S120 CABINET MODULE	2.2
Drawn	SYSTEM	PD LD NbgVo		XF9300560502021201	+H.A28
AA	-	02.09.15	Syst. Appr.	Circuit diagram	FS-SP
Rev.	Remarks	Date	Name	Norm	s. Artus-Symbol
1		2		3	Orig./Repl.f./Repl.by

Sheet10  
 15 Sh

1 2 3 4 5 6 7 8

Copyright (C) Siemens AG 2003  
 Conveyed confidentially. All rights reserved.  
 Als Betriebsgeheimnis anvertraut. Alle Rechte vorbehalten.

Project: XF9300560502021201\_E\_AA  
 ELCAD-VERSION: 9.0 SP2  
 D:/GDOKU\_AHEAD/AUFTRAG/3005605020\_212\_AA/TEMP/TEMP/300560502021201\_E\_AA.pro  
 ELCAD-Projektstruktur: Circuit diagram | 11 |



2) Mains voltage 500-690V

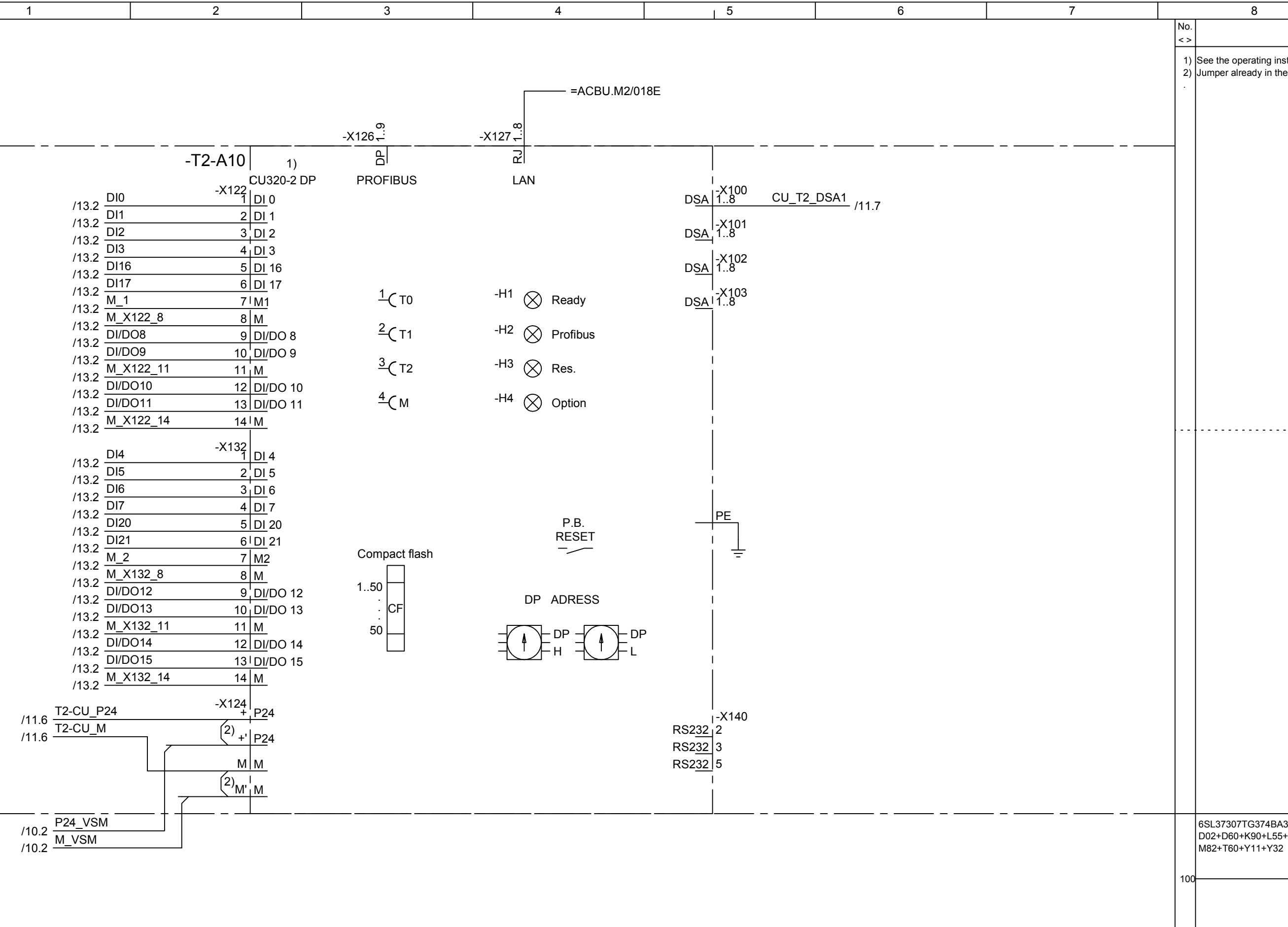
0	X
1L500	
1L525	
1L575	
1L600	
con	
1L660	
1L690	X

No. <>  
 1) See the operating instructions  
 2) Adapting Transformer on Mainsvoltage  
 . X =Factory setting  
 . 99 Connection to LCM

6SL37307TG374BA3  
 D02+D60+K90+L55+M06+M54+M56+M82+T60+Y11+Y32  
 100

Copyright (C) Siemens AG 2003  
 Conveyed confidentially. All rights reserved.  
 Als Betriebsgeheimnis anvertraut. Alle Rechte vorbehalten.

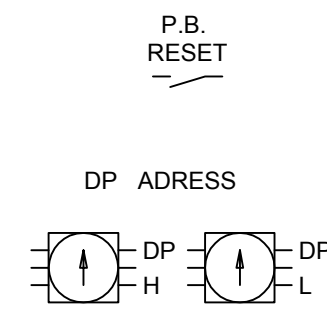
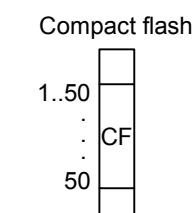
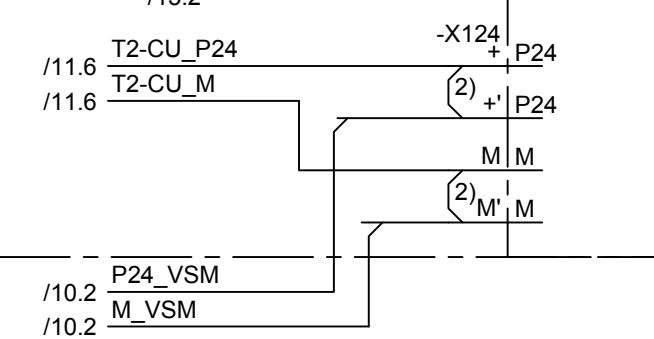
Project: XF9300560502021201\_E\_AA  
 ELCAD-VERSION: 9.0 SP2  
 D:/GDOKU\_AHEAD/AUFTRAG/3005605020\_212\_AA/TEMP/9300560502021201\_E\_AA.pro  
 ELCAD-Projektstruktur: Circuit diagram | 12 |



No. <>  
 1) See the operating instructions  
 2) Jumper already in the connector

-T2-A10		1) CU320-2 DP	
/13.2	DI0	1	DI 0
/13.2	DI1	2	DI 1
/13.2	DI2	3	DI 2
/13.2	DI3	4	DI 3
/13.2	DI16	5	DI 16
/13.2	DI17	6	DI 17
/13.2	M_1	7	M1
/13.2	M_X122_8	8	M
/13.2	DI/DO8	9	DI/DO 8
/13.2	DI/DO9	10	DI/DO 9
/13.2	M_X122_11	11	M
/13.2	DI/DO10	12	DI/DO 10
/13.2	DI/DO11	13	DI/DO 11
/13.2	M_X122_14	14	M

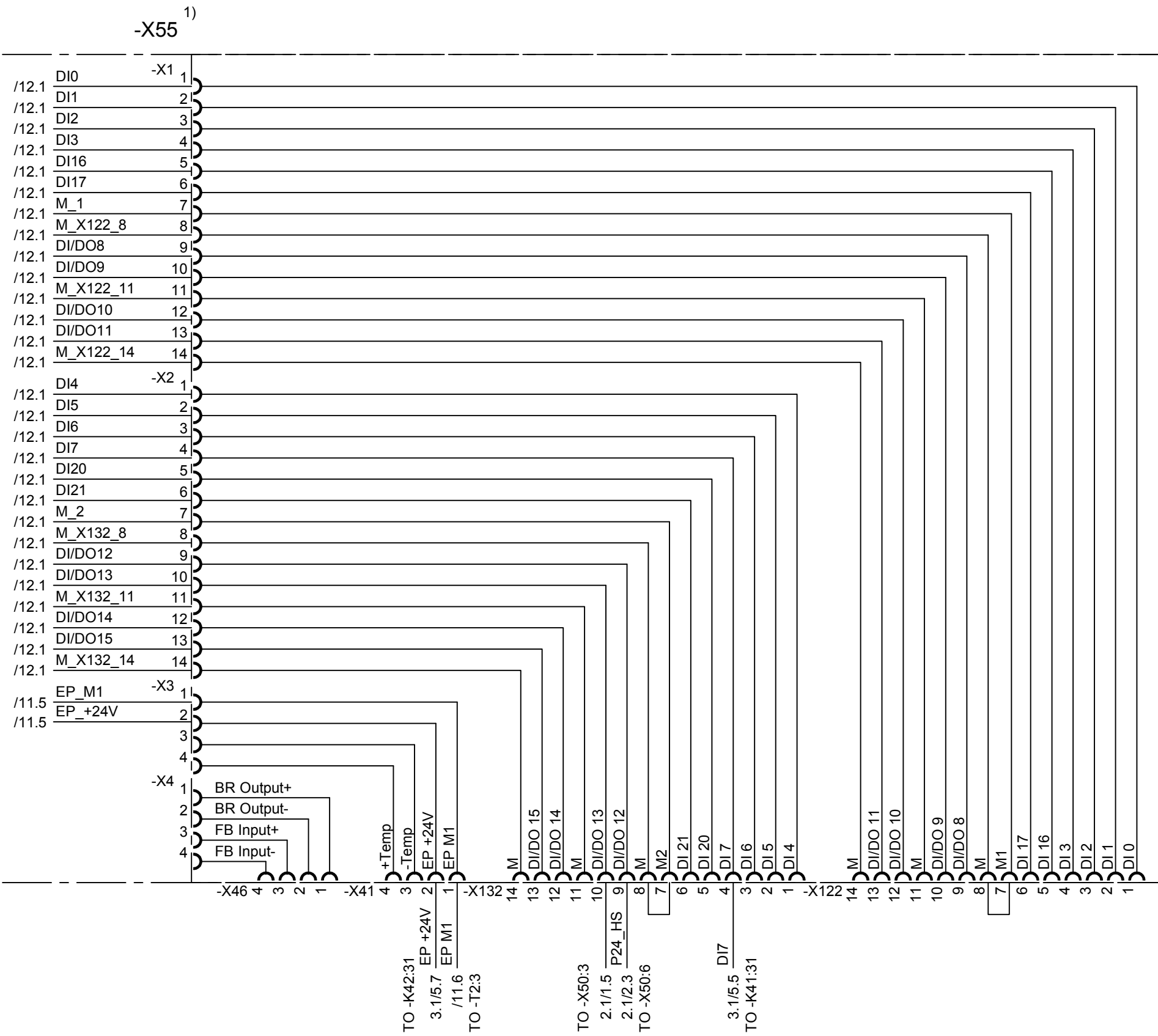
-X132			
/13.2	DI4	1	DI 4
/13.2	DI5	2	DI 5
/13.2	DI6	3	DI 6
/13.2	DI7	4	DI 7
/13.2	DI20	5	DI 20
/13.2	DI21	6	DI 21
/13.2	M_2	7	M2
/13.2	M_X132_8	8	M
/13.2	DI/DO12	9	DI/DO 12
/13.2	DI/DO13	10	DI/DO 13
/13.2	M_X132_11	11	M
/13.2	DI/DO14	12	DI/DO 14
/13.2	DI/DO15	13	DI/DO 15
/13.2	M_X132_14	14	M





Copyright (C) Siemens AG 2003  
 Conveyed confidentially. All rights reserved.  
 Als Betriebsgeheimnis anvertraut. Alle Rechte vorbehalten.

Project: XF9300560502021201\_E\_AA  
 ELCAD-VERSION: 9.0 SP2  
 D:/GDOKU\_AHEAD/AUFTRAG/3005605020\_212\_AA/TEMP/XF9300560502021201\_E\_AA.pro  
 ELCAD-Projektstruktur: Circuit diagram | 13 |



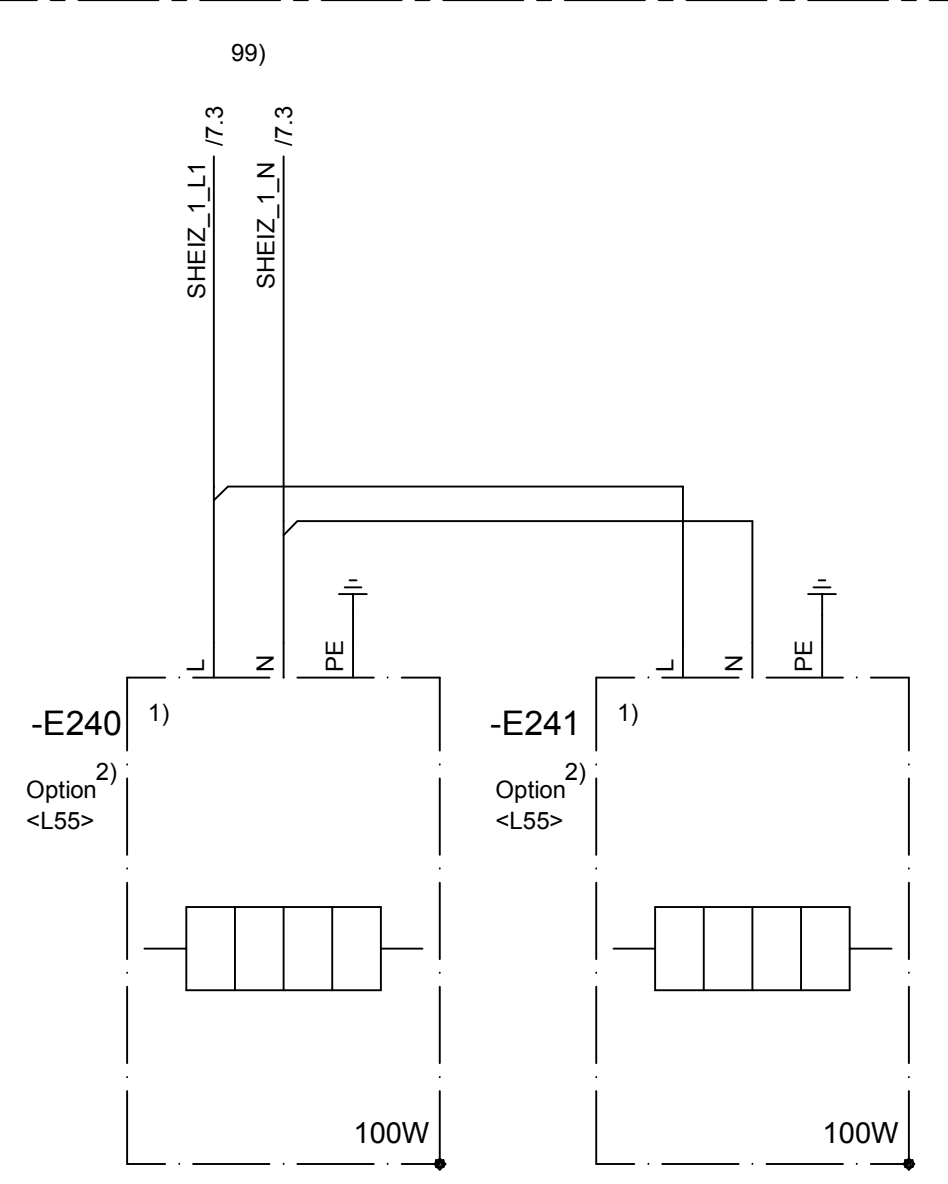
No. <>	
1)	See the operating instructions
100	6SL37307TG374BA3 D02+D60+K90+L55+M06+M54+M56+ M82+T60+Y11+Y32
2.2	+H.A30

Date		02.09.2015		Siemens AG		SINAMICS S120 CABINET MODULE XF9300560502021201		2.2	
Drawn		SYSTEM						+H.A30	
AA	-	02.09.15	Syst. Appr.	PD LD NbgVo		Circuit diagram		FS-SP	
Rev.	Remarks	Date	Name	Norm	s. Artus-Symbol	Orig./Repl.f./Repl.by			Sheet13 15 Sh

A  
B  
C  
D  
E  
F

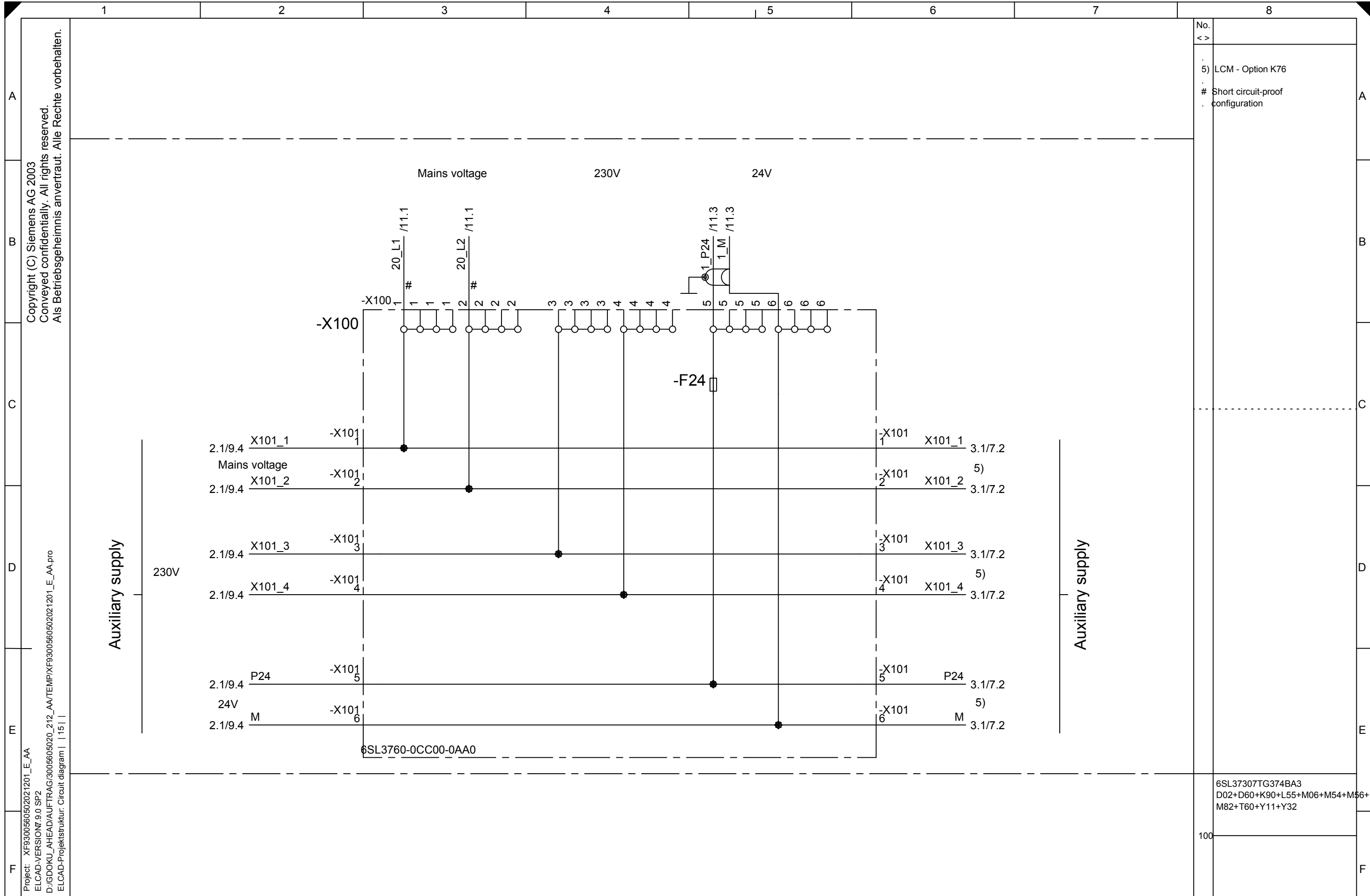
Copyright (C) Siemens AG 2003  
 Conveyed confidentially. All rights reserved.  
 Als Betriebsgeheimnis anvertraut. Alle Rechte vorbehalten.

Project: XF9300560502021201\_E\_AA  
 ELCAD-VERSION: 9.0 SP2  
 D:/GDOKU\_AHEAD/AUFTRAG/3005605020\_212\_AA/TEMP/9300560502021201\_E\_AA.pro  
 ELCAD-Projektstruktur: Circuit diagram | 14 |



No. <>	
1)	See the operating instructions
2)	Cabinet anti-condensation heating
99)	Connection to LCM
100	6SL37307TG374BA3 D02+D60+K90+L55+M06+M54+M56+ M82+T60+Y11+Y32
2.2	
	+H.A30

AA	-	02.09.15	System	Date	02.09.2015		SINAMICS S120 CABINET MODULE XF9300560502021201	FS-SP	Sheet 14 15 Sh
Rev.	Remarks	Date	Name	Norm	s. Artus-Symbol				



Copyright (C) Siemens AG 2003  
 Conveyed confidentially. All rights reserved.  
 Als Betriebsgeheimnis anvertraut. Alle Rechte vorbehalten.

Project: XF9300560502021201\_E\_AA  
 ELCAD-VERSION: 9.0 SP2  
 D:/GDOKU\_AHEAD/AUFTRAG/3005605020\_212\_AA/TEMP/XF9300560502021201\_E\_AA.pro  
 ELCAD-Projektstruktur: Circuit diagram | 15 |

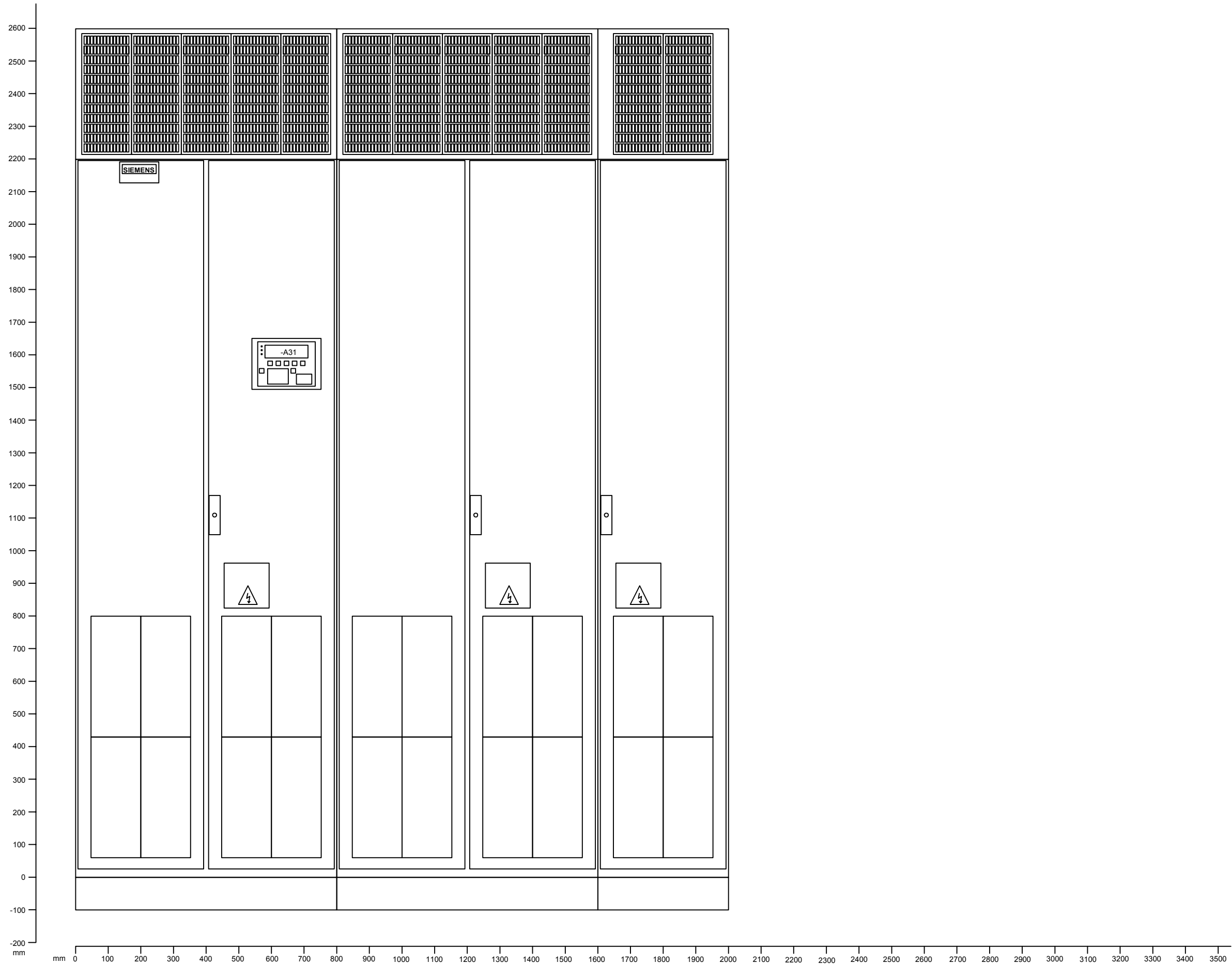
No. <>  
 5) LCM - Option K76  
 # Short circuit-proof configuration

Date		02.09.2015		Siemens AG		SINAMICS S120 CABINET MODULE XF9300560502021201		2.2	
Drawn		SYSTEM						+H.A30	
AA	-	02.09.15	Syst. Appr.					Sheet 15	
Rev.	Remarks	Date	Name	Norm	s. Artus-Symbol	Orig./Repl.f./Repl.by	Circuit diagram	FS-SP	

6SL37307TG374BA3  
 D02+D60+K90+L55+M06+M54+M56+  
 M82+T60+Y11+Y32

100

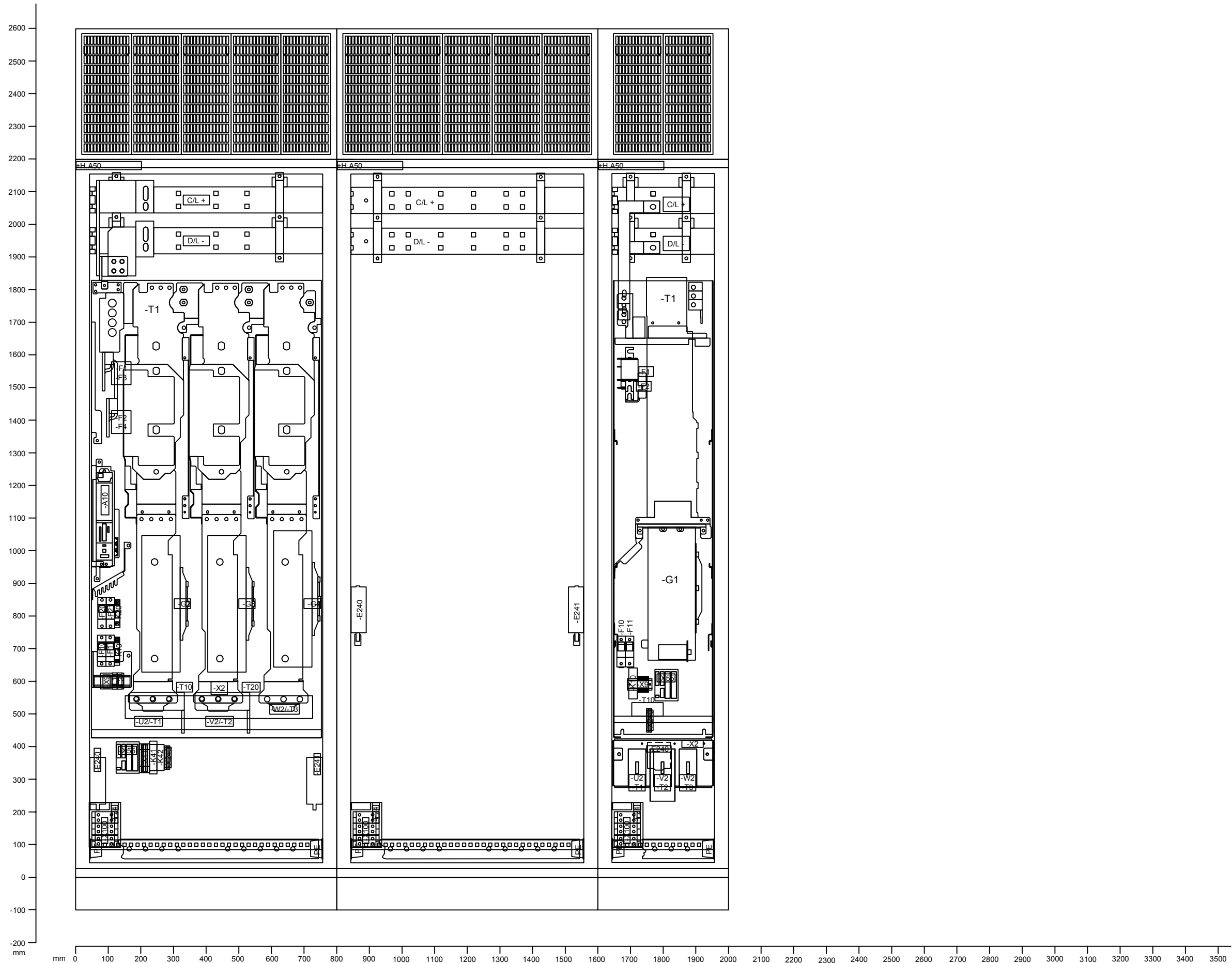
Copyright (C) Siemens AG 2003  
 Conveyed confidentially. All rights reserved.



...  
 XF9300560502021601  
 6SL3720-1TG37-4AA3-Z  
 D02 D60 K08 K82 K90 L55  
 M06 M54 M56 M70 M82 T60  
 X30 Y11 Y32  
 XF  
 9300560502021801  
 6SL3700-OZX38-0AA3-Z  
 D02 D60 L55 M06 M54 M56  
 M70 M75 M82 T60 X30 Y11  
 Y32  
 XF  
 9300560502022001  
 6SL3720-1TG33-3AA3-Z  
 D02 D60 L55 M06 M26 M54  
 M56 M70 M82 T60 Y11 Y32

				Date	03.09.2015			SIEMENS AG		SINAMICS S120 CABINET MODULE			
				Drawn	System			PD LD		XF9300560502021601			
AA		03.09.15	System	Appr.				Nuernberg Vo		CE_WR		TL - AO	
Rev.	Remarks	Date	Name	Norm	See PDM	Orig./Repl.f./Repl.by						Sh	
											1 / 1		

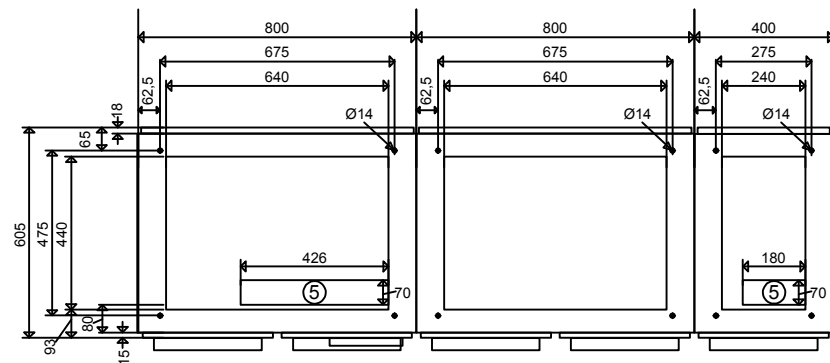
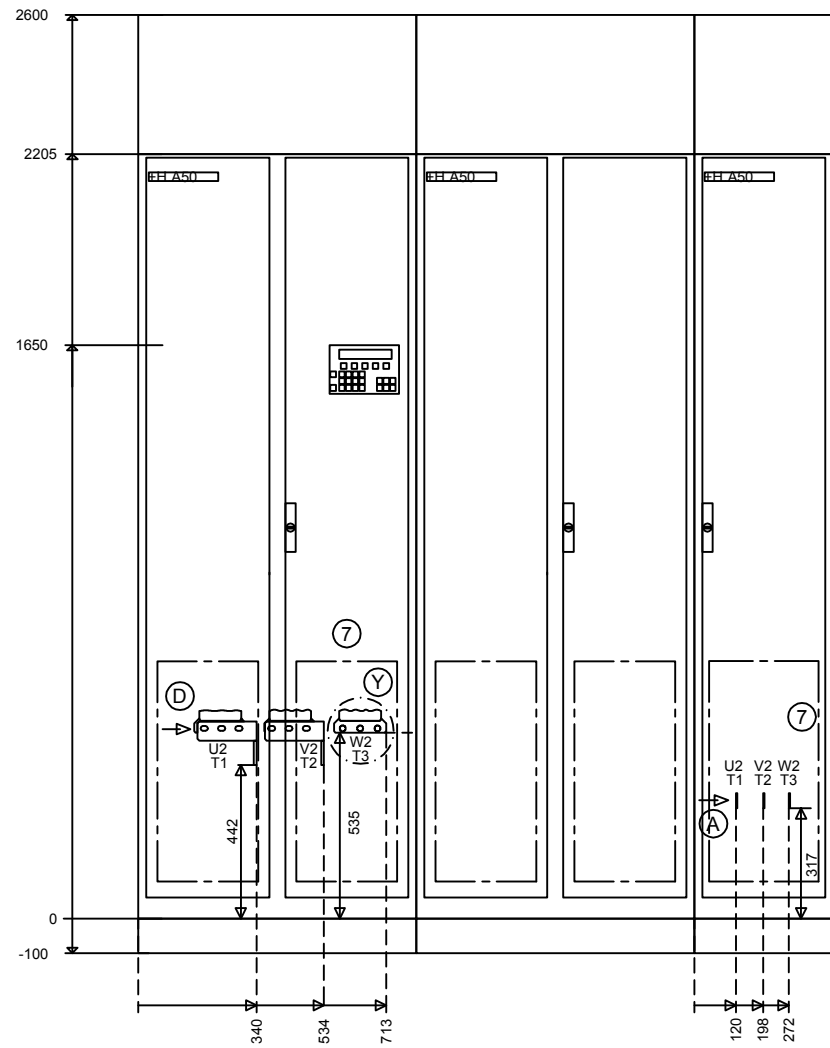
Copyright (C) Siemens AG 2003  
 Conveyed confidentially. All rights reserved.



...  
 XF9300560502021601  
 6SL3720-1TG37-4AA3-Z  
 D02 D60 K08 K82 K90 L55  
 M06 M54 M56 M70 M82 T60  
 X30 Y11 Y32  
 XF  
 9300560502021801  
 6SL3700-0ZX38-0AA3-Z  
 D02 D60 L55 M06 M54 M56  
 M70 M75 M82 T60 X30 Y11  
 Y32  
 XF  
 9300560502022001  
 6SL3720-1TG33-3AA3-Z  
 D02 D60 L55 M06 M26 M54  
 M56 M70 M82 T60 Y11 Y32

		Date		03.09.2015		<b>SIEMENS AG</b> PD LD Nuernberg Vo		SINAMICS S120 CABINET MODULE			
		Drawn		System				XF9300560502021601			
AA		03.09.15	System	Appr.				CE_WR		TL - AO	
Rev.	Remarks	Date	Name	Norm	See PDM	Orig./Repl.f./Repl.by				Sh	
										1 / 1	

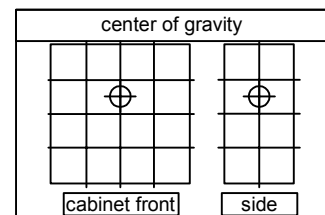
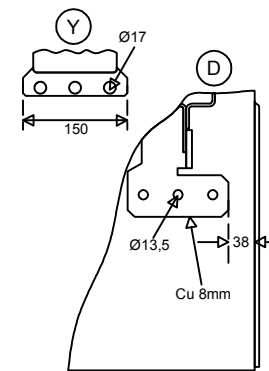
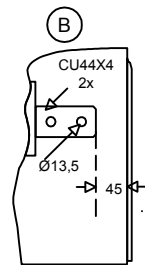
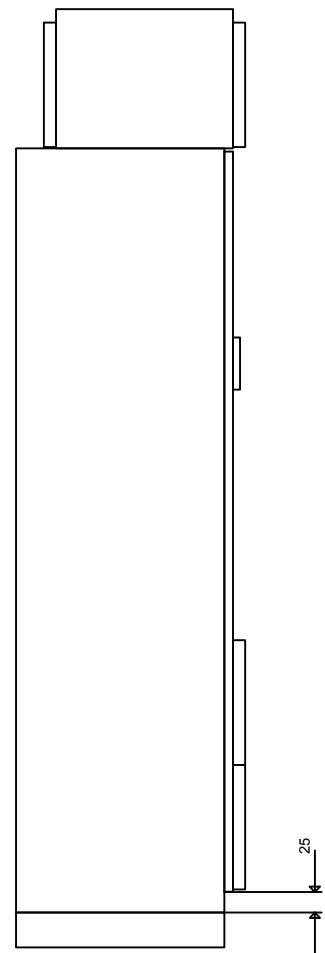
Copyright (C) Siemens AG 2003  
 Conveyed confidentially. All rights reserved.



...  
 XF9300560502021601  
 6SL3720-1TG37-4AA3-Z  
 D02 D60 K08 K82 K90 L55  
 M06 M54 M56 M70 M82 T60  
 X30 Y11 Y32  
 XF  
 9300560502021801  
 6SL3700-OZX38-0AA3-Z  
 D02 D60 L55 M06 M54 M56  
 M70 M75 M82 T60 X30 Y11  
 Y32  
 XF  
 9300560502022001  
 6SL3720-1TG33-3AA3-Z  
 D02 D60 L55 M06 M26 M54  
 M56 M70 M82 T60 Y11 Y32

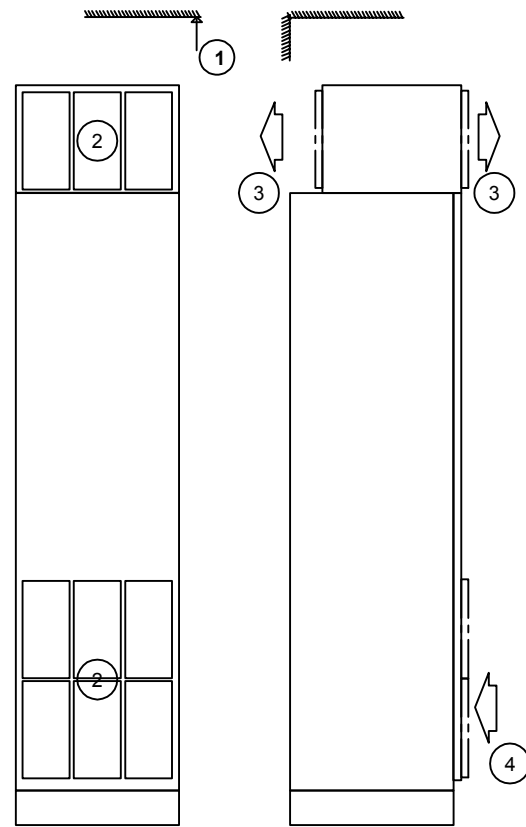
				Date	03.09.2015				
				Drawn	System				
AA		03.09.15	System	Appr.					
Rev.	Remarks	Date	Name	Norm	See PDM	Orig./Repl.f./Repl.by			
							<b>SIEMENS AG</b> PD LD Nuernberg Vo	SINAMICS S120 CABINET MODULE	
								XF9300560502021601	
							CE_WR	TB - MB	
									Sh 1 / 1

Copyright (C) Siemens AG 2003  
 Conveyed confidentially. All rights reserved.



...  
 XF9300560502021601  
 6SL3720-1TG37-4AA3-Z  
 D02 D60 K08 K82 K90 L55  
 M06 M54 M56 M70 M82 T60  
 X30 Y11 Y32  
 XF  
 9300560502021801  
 6SL3700-OZX38-0AA3-Z  
 D02 D60 L55 M06 M54 M56  
 M70 M75 M82 T60 X30 Y11  
 Y32  
 XF  
 9300560502022001  
 6SL3720-1TG33-3AA3-Z  
 D02 D60 L55 M06 M26 M54  
 M56 M70 M82 T60 Y11 Y32

				Date	03.09.2015		<b>SIEMENS AG</b> PD LD Nuernberg Vo	SINAMICS S120 CABINET MODULE			
				Drawn	System			XF9300560502021601			
AA		03.09.15	System	Appr.					CE_WR	TB - MB	Sh
Rev.	Remarks	Date	Name	Norm	See PDM	Orig./Repl.f./Repl.by				1 / 1	



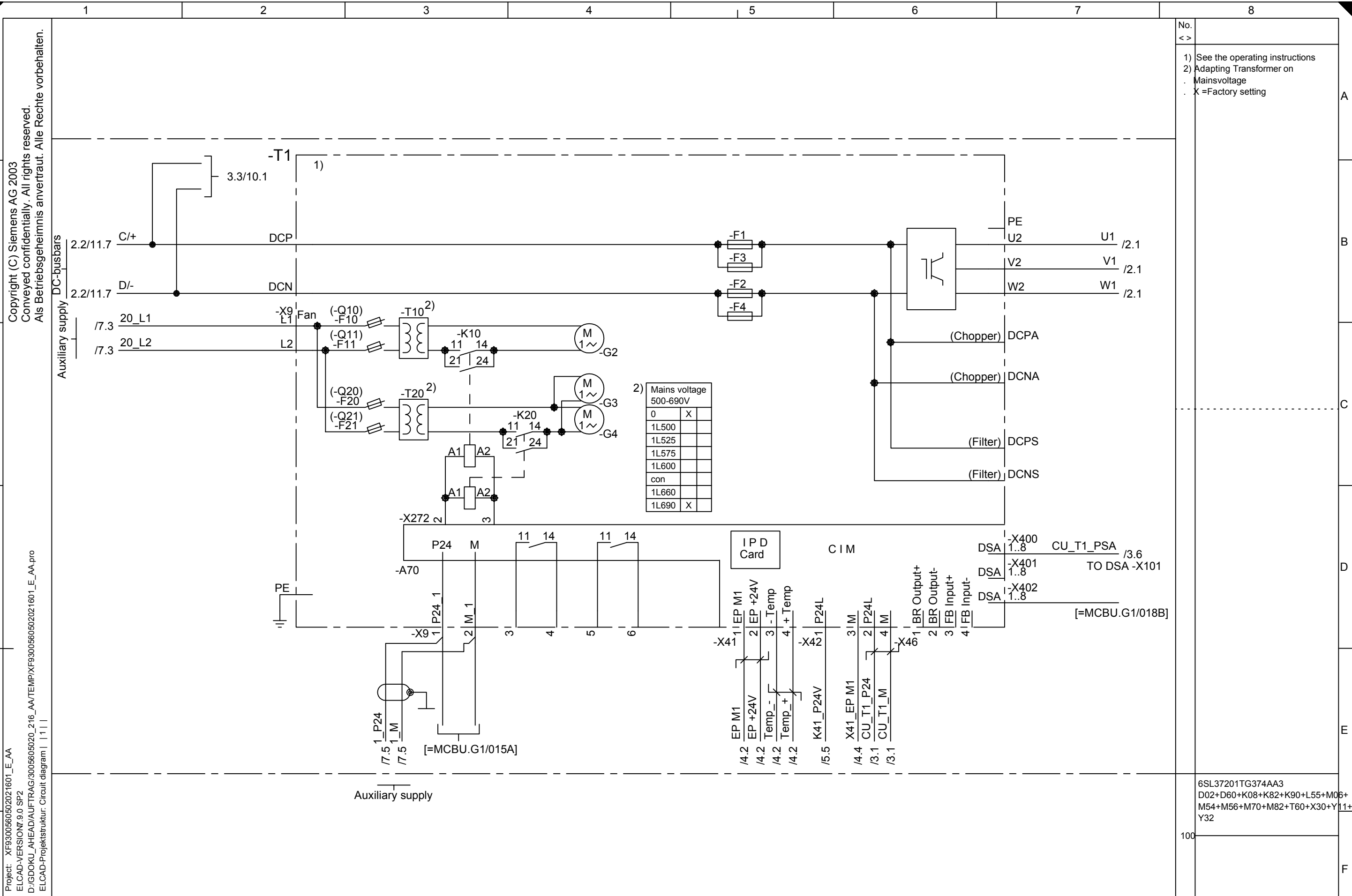
No. 9 IP23/IP43/IP54 8 <M23> <M43> <M54>

- 1 Minimum distance from ceiling for wall-mounting: IP20/21 = 350mm  
Minimum distance from ceiling for wall-mounting: IP23/43/54 = 250mm
- 2 Air inlet / outlet protection
- 3 Air outlet
- 4 Air inlet
- 5 Cable entry possible within the grey area
- 6
- 7
- 8 < Option >
- 9 Degree of protection
- 10
- 11
- 12

...  
 XF9300560502021601  
 6SL3720-1TG37-4AA3-Z  
 D02 D60 K08 K82 K90 L55  
 M06 M54 M56 M70 M82 T60  
 X30 Y11 Y32  
 XF  
 9300560502021801  
 6SL3700-OZX38-0AA3-Z  
 D02 D60 L55 M06 M54 M56  
 M70 M75 M82 T60 X30 Y11  
 Y32  
 XF  
 9300560502022001  
 6SL3720-1TG33-3AA3-Z  
 D02 D60 L55 M06 M26 M54  
 M56 M70 M82 T60 Y11 Y32

				Date	03.09.2015	<b>SIEMENS AG</b> PD LD Nuernberg Vo	SINAMICS S120 CABINET MODULE			
				Drawn	System		XF9300560502021601			
AA		03.09.15	System	Appr.				CE_WR	TB - MB	Sh
Rev.	Remarks	Date	Name	Norm	See PDM	Orig./Repl.f./Repl.by			1 / 1	





No. <>  
 1) See the operating instructions  
 2) Adapting Transformer on Mainsvoltage  
 X =Factory setting

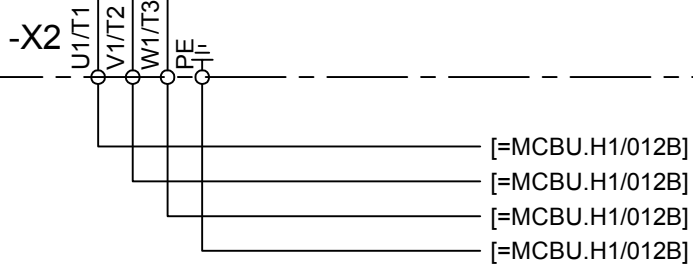
Copyright (C) Siemens AG 2003  
 Conveyed confidentially. All rights reserved.  
 Als Betriebsgeheimnis anvertraut. Alle Rechte vorbehalten.

Project: XF9300560502021601\_E\_AA  
 ELCAD-VERSION: 9.0 SP2  
 D:/GDOKU\_AHEAD/AUFTRAG/3005605020\_216\_AA/TEMP/XF9300560502021601\_E\_AA.pro  
 ELCAD-Projektstruktur: Circuit diagram | 1 | 1 |

Date	02.09.2015	Siemens AG	SINAMICS S120 CABINET MODULE	3.1
Drawn	SYSTEM	PD LD NbgVo	XF9300560502021601	+H.A50
AA	-	02.09.15	Syst. Appr.	Sheet1
Rev.	Remarks	Date	Name	14 Sh
1		2	s. Artus-Symbol	
3		4	Orig./Repl.f./Repl.by	
5		6	Circuit diagram	
7		8	FS-SP	

Copyright (C) Siemens AG 2003  
 Conveyed confidentially. All rights reserved.  
 Als Betriebsgeheimnis anvertraut. Alle Rechte vorbehalten.

/1.7 U1  
 /1.7 V1  
 /1.7 W1



No.  
 <>

6SL37201TG374AA3  
 D02+D60+K08+K82+K90+L55+M06+  
 M54+M56+M70+M82+T60+X30+Y11+  
 Y32

100

Date	02.09.2015
Drawn	SYSTEM
AA	-
Rev.	Remarks

Date	02.09.15
System	Appr.
Name	s. Artus-Symbol
Orig./Repl.f./Repl.by	

**Siemens AG**  
 PD LD  
 NbgVo

SINAMICS S120 CABINET MODULE  
 XF9300560502021601

Circuit diagram

FS-SP

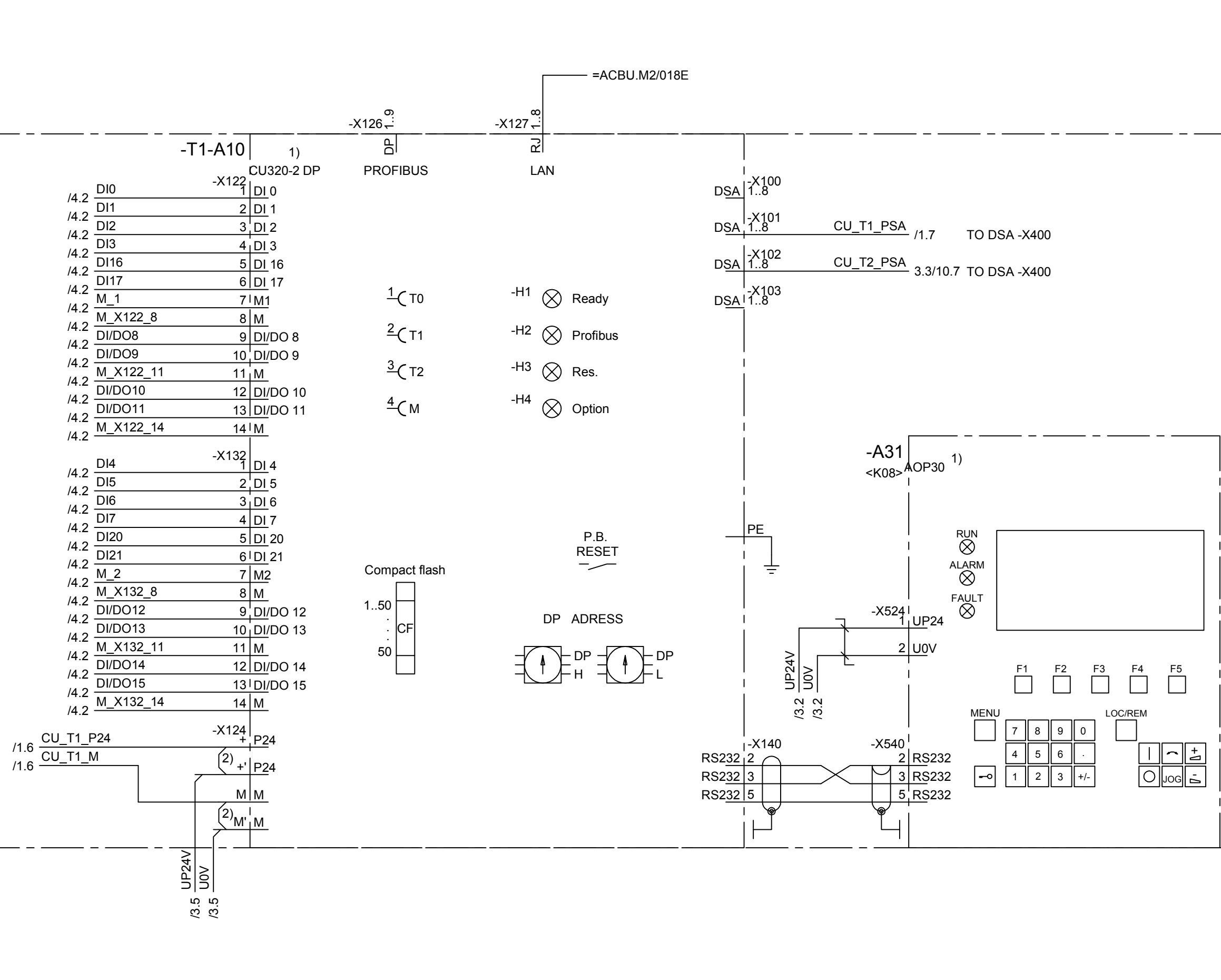
3.1  
 +H.A50

Sheet 2  
 14 Sh

Copyright (C) Siemens AG 2003  
 Conveyed confidentially. All rights reserved.  
 Als Betriebsgeheimnis anvertraut. Alle Rechte vorbehalten.

Project: XF9300560502021601\_E\_AA  
 ELCAD-VERSION: 9.0 SP2  
 D:/GDOKU\_AHEAD/AUFTRAG/3005605020\_216\_AA/TEMP/9300560502021601\_E\_AA.pro  
 ELCAD-Projektstruktur: Circuit diagram | 3 | 1

1 2 3 4 5 6 7 8



No. <>  
 1) See the operating instructions  
 2) Jumper already in the connector

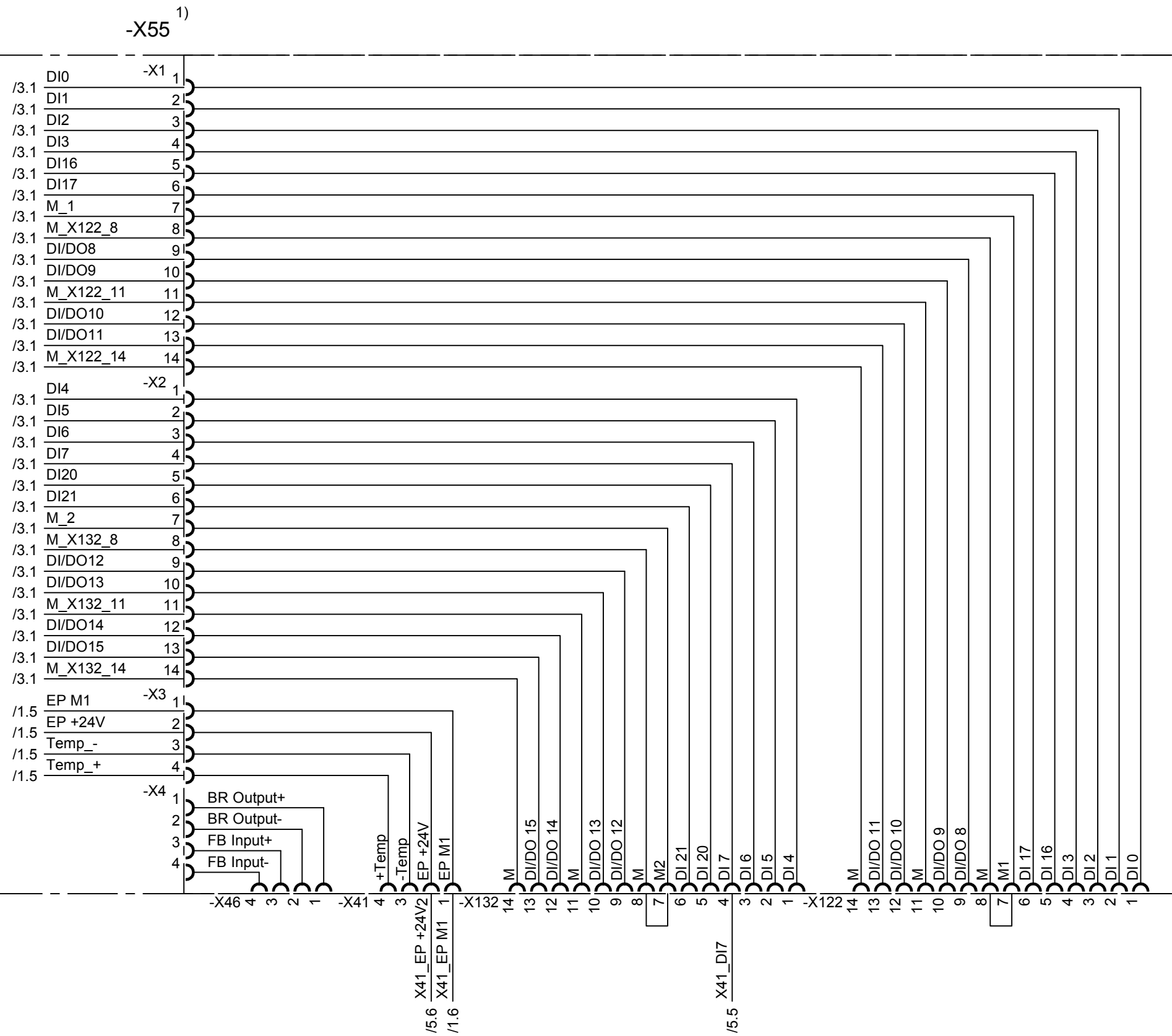
6SL37201TG374AA3  
 D02+D60+K08+K82+K90+L55+M06+  
 M54+M56+M70+M82+T60+X30+Y11+  
 Y32  
 100

3.1  
 +H.A50

Sheet3  
 14 Sh

Copyright (C) Siemens AG 2003  
 Conveyed confidentially. All rights reserved.  
 Als Betriebsgeheimnis anvertraut. Alle Rechte vorbehalten.

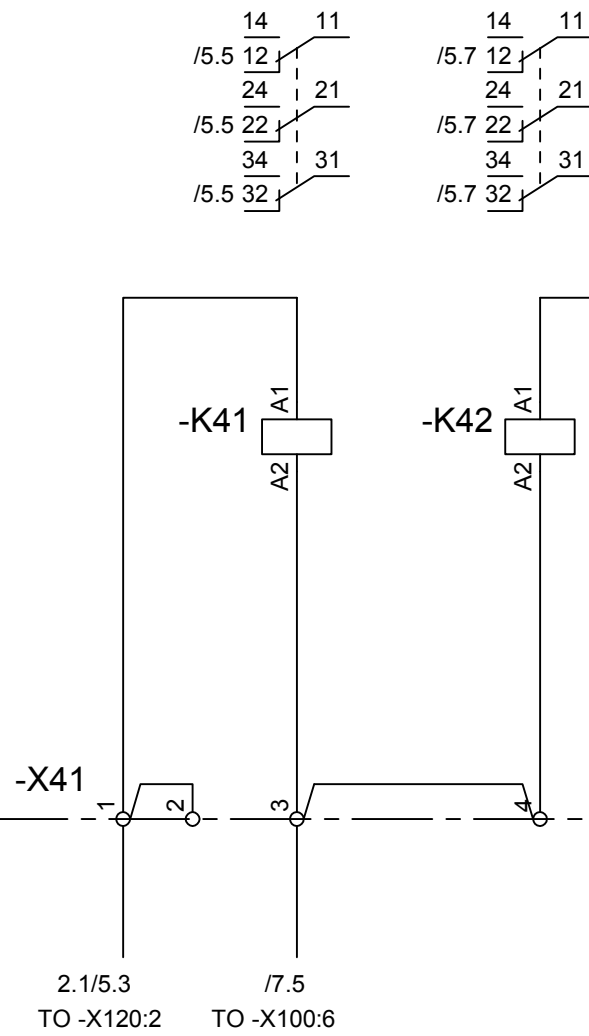
Project: XF9300560502021601\_E\_AA  
 ELCAD-VERSION: 9.0 SP2  
 D:/GDOKU\_AHEAD/AUFTRAG/3005605020\_216\_AA/TEMP/TEMP/300560502021601\_E\_AA.pro  
 ELCAD-Projektstruktur: Circuit diagram | 4 | 1



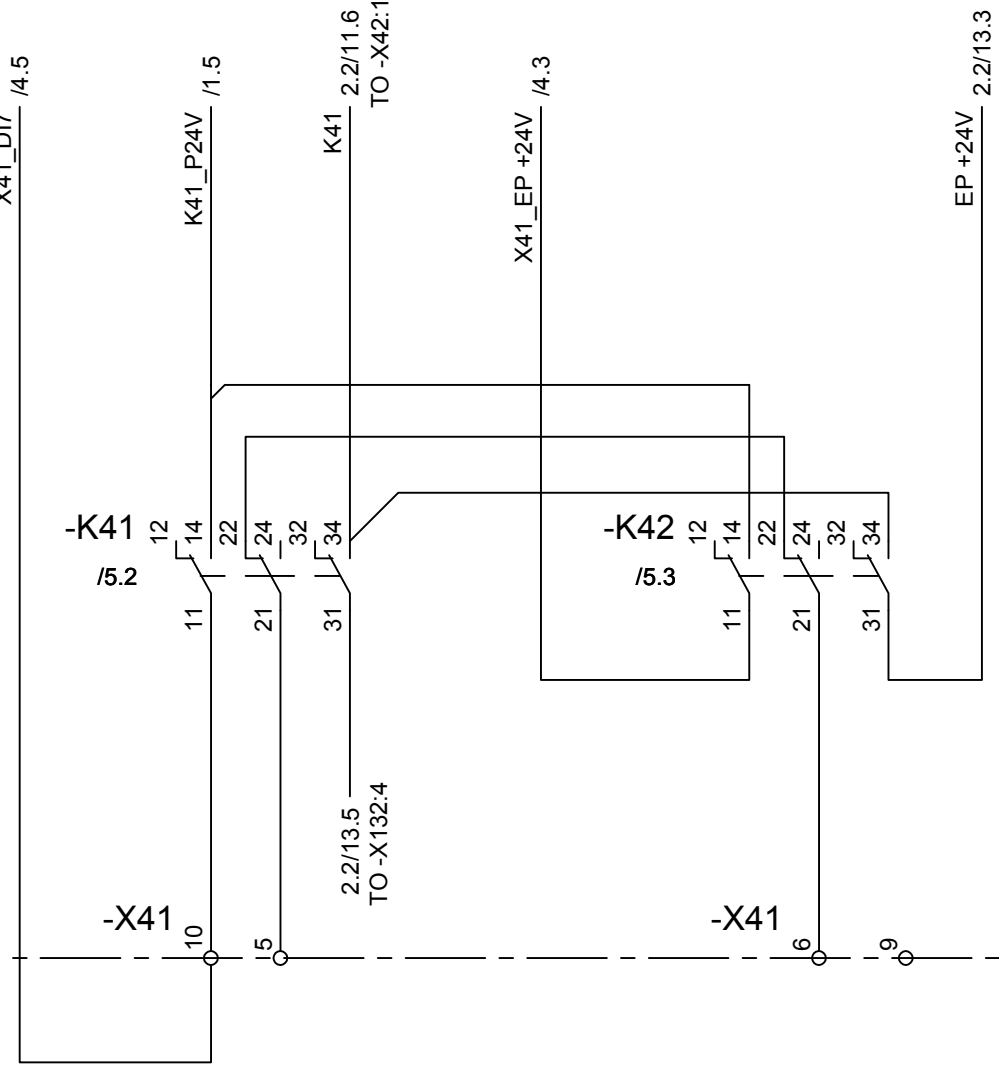
No. <>	
1)	See the operating instructions
100	6SL37201TG374AA3 D02+D60+K08+K82+K90+L55+M06+ M54+M56+M70+M82+T60+X30+Y11+ Y32
3.1	
+H.A50	

Copyright (C) Siemens AG 2003  
 Conveyed confidentially. All rights reserved.  
 Als Betriebsgeheimnis anvertraut. Alle Rechte vorbehalten.

Project: XF9300560502021601\_E\_AA  
 ELCAD-VERSION: 9.0 SP2  
 D:/GDOKU\_AHEAD/AUFTRAG/3005605020\_216\_AA/TEMP/TEMP/300560502021601\_E\_AA.pro  
 ELCAD-Projektstruktur: Circuit diagram | 5 |



1)  
 Option  
 <K82>  
 Safety

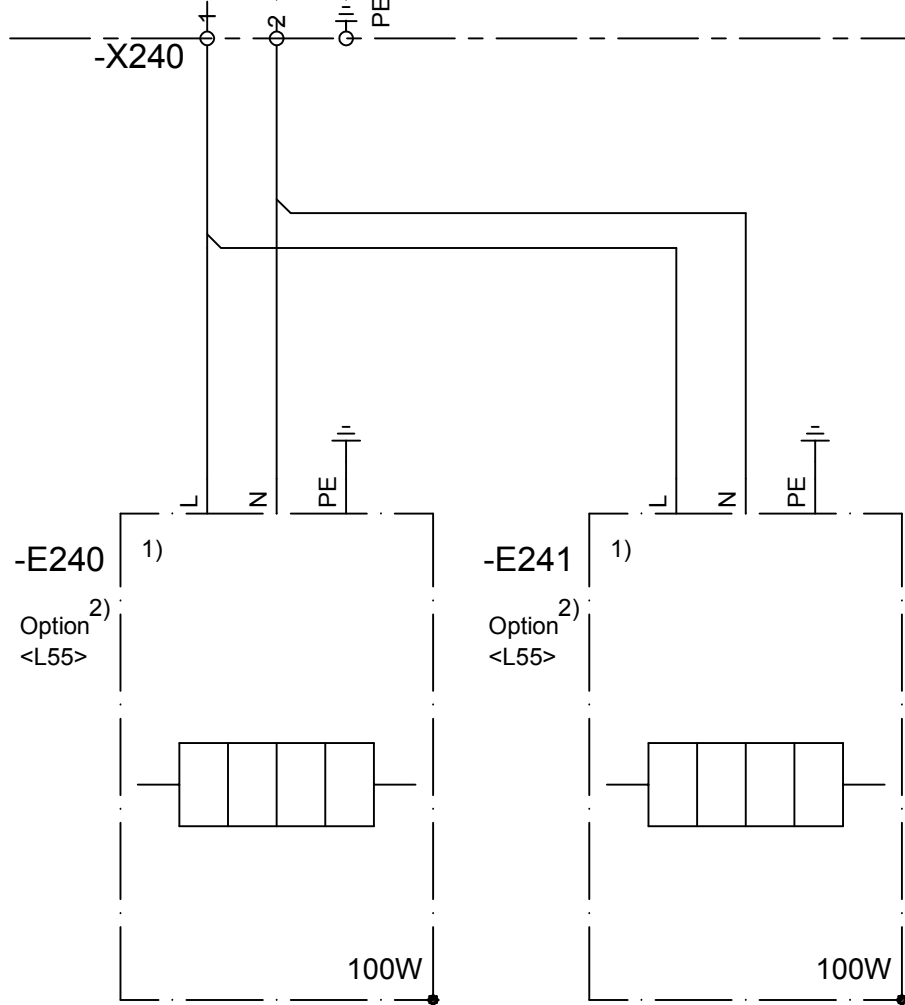
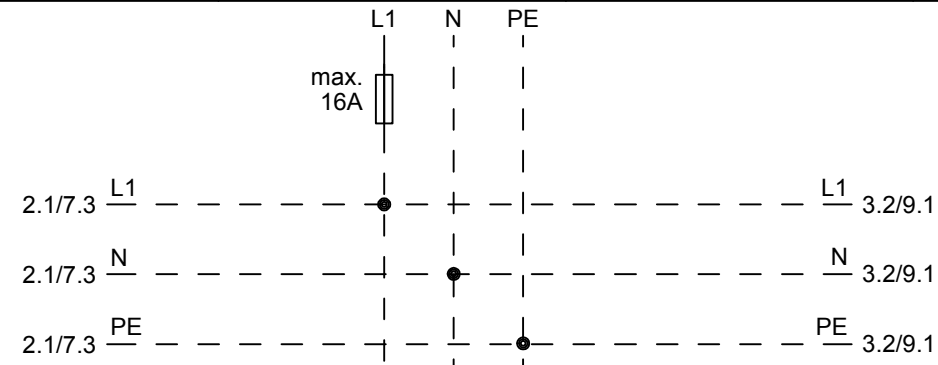


No. <>	1) See the operating instructions
100	6SL37201TG374AA3 D02+D60+K08+K82+K90+L55+M06+ M54+M56+M70+M82+T60+X30+Y11+ Y32
3.1	+H.A50
FS-SP	Sheet 5
14 Sh	

Date	02.09.2015	Siemens AG	SINAMICS S120 CABINET MODULE XF9300560502021601	3.1
Drawn	SYSTEM			
AA	-	02.09.15	Syst. Appr.	
Rev.	Remarks	Date	Name	Norm
1			s. Artus-Symbol	Orig./Repl.f./Repl.by

Copyright (C) Siemens AG 2003  
 Conveyed confidentially. All rights reserved.  
 Als Betriebsgeheimnis anvertraut. Alle Rechte vorbehalten.

Project: XF9300560502021601\_E\_AA  
 ELCAD-VERSION: 9.0 SP2  
 D:/GDOKU\_AHEAD/AUFTRAG/3005605020\_216\_AA/TEMP/XF9300560502021601\_E\_AA.pro  
 ELCAD-Projektstruktur: Circuit diagram | 6 |



No. <>	1) See the operating instructions 2) Cabinet anti-condensation heating
100	6SL37201TG374AA3 D02+D60+K08+K82+K90+L55+M06+ M54+M56+M70+M82+T60+X30+Y11+ Y32

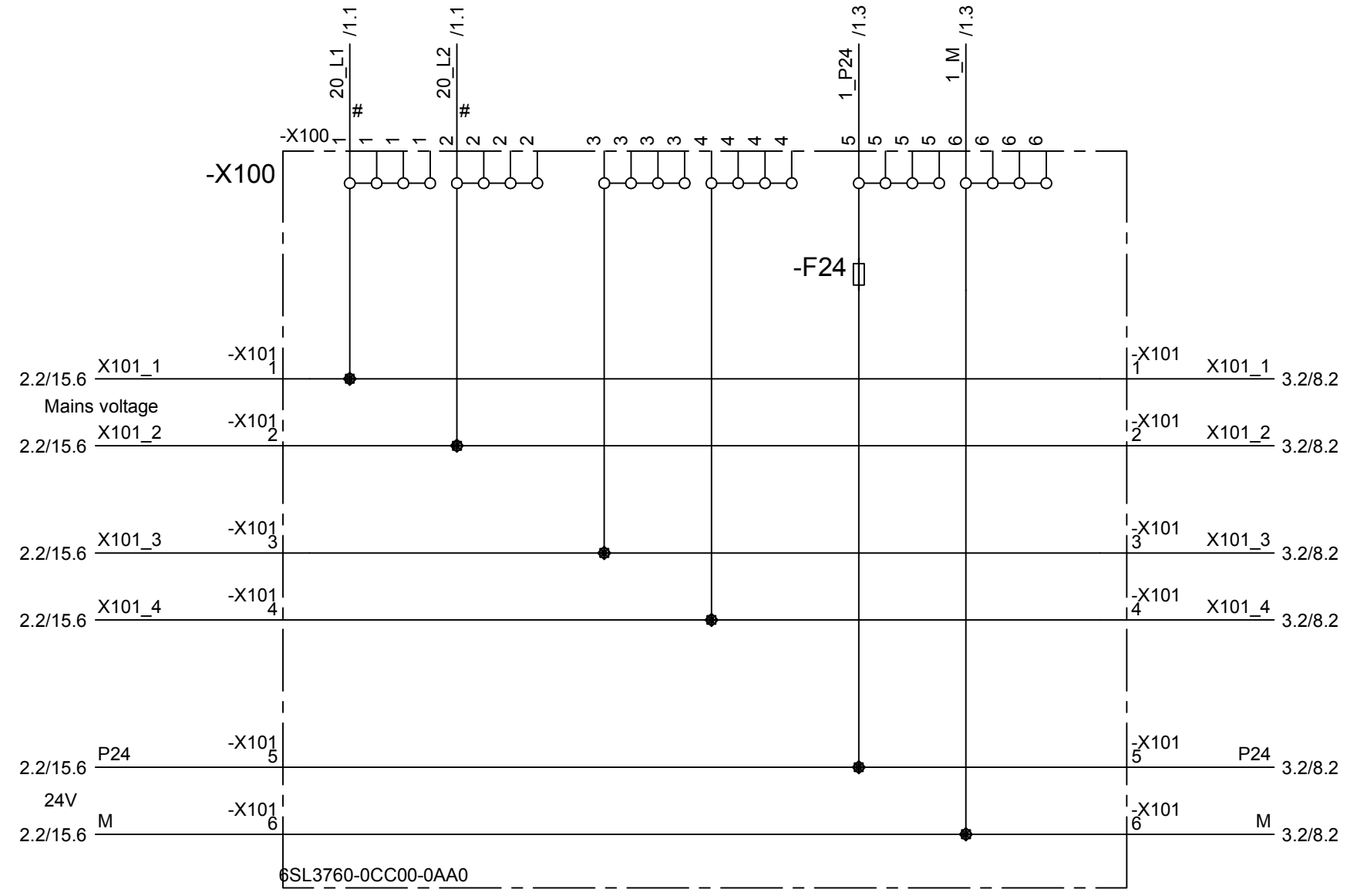
Date	02.09.2015		SINAMICS S120 CABINET MODULE XF9300560502021601	3.1					
Drawn	SYSTEM			+H.A50					
AA	-	02.09.15	Syst. Appr.	FS-SP	Sheet 6				
Rev.	Remarks	Date	Name	Norm	s. Artus-Symbol	Orig./Repl.f./Repl.by	Circuit diagram	FS-SP	Sheet 6

Copyright (C) Siemens AG 2003  
 Conveyed confidentially. All rights reserved.  
 Als Betriebsgeheimnis anvertraut. Alle Rechte vorbehalten.

Project: XF9300560502021601\_E\_AA  
 ELCAD-VERSION: 9.0 SP2  
 D:/GDOKU\_AHEAD/AUFTRAG/3005605020\_216\_AA/TEMP/XF9300560502021601\_E\_AA.pro  
 ELCAD-Projektstruktur: Circuit diagram | 7 | |

Auxiliary supply

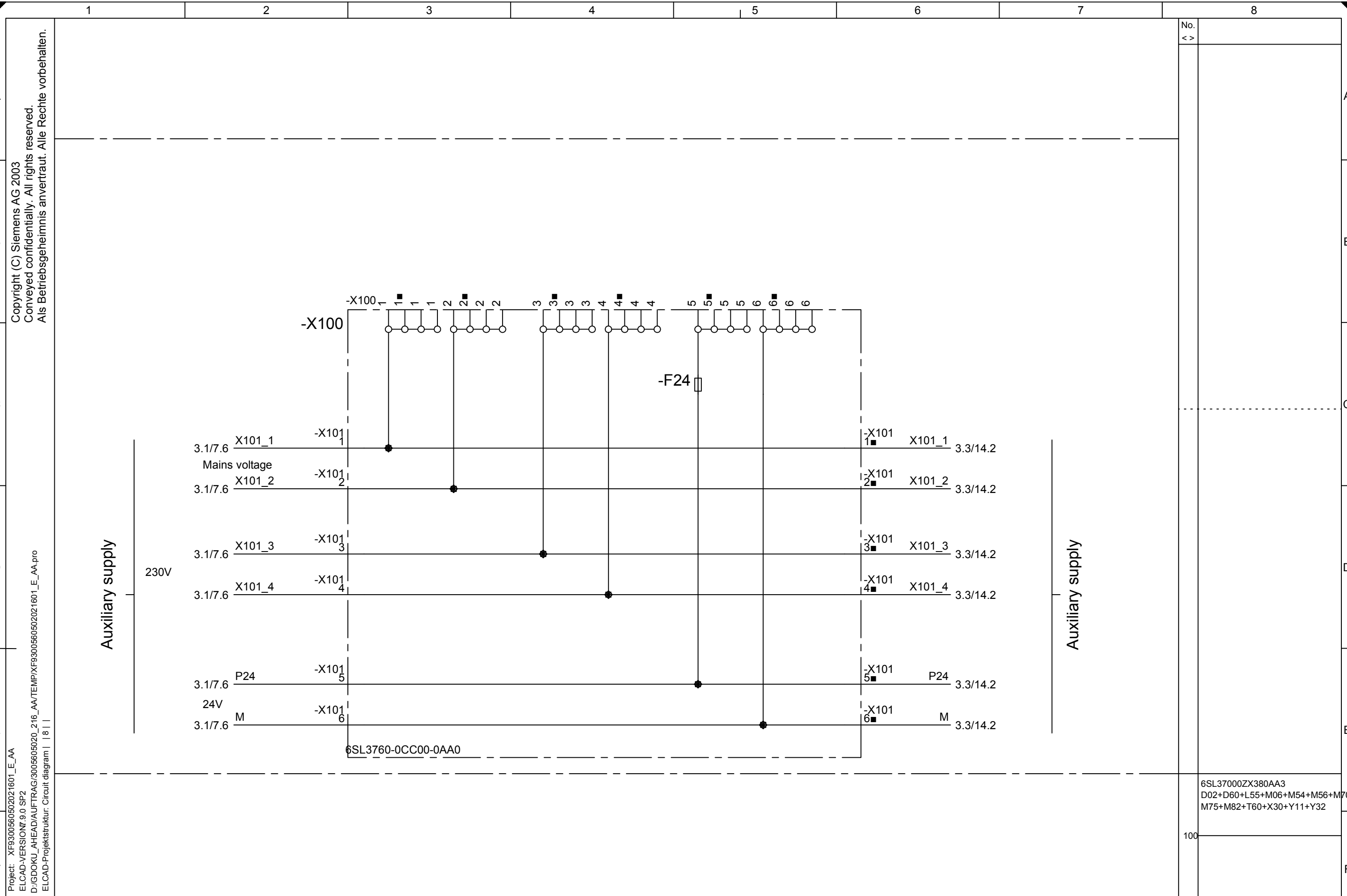
230V



Auxiliary supply

No. <>	
#	Short circuit-proof configuration
6SL37201TG374AA3 D02+D60+K08+K82+K90+L55+M06+ M54+M56+M70+M82+T60+X30+Y11+ Y32	100
3.1	
+H.A50	

AA	-	02.09.15	System	Appr.		Siemens AG	SINAMICS S120 CABINET MODULE XF9300560502021601	FS-SP	Sheet 7
Rev.	Remarks	Date	Name	Norm	s. Artus-Symbol	Orig./Repl.f./Repl.by	Circuit diagram		14 Sh.



Copyright (C) Siemens AG 2003  
 Conveyed confidentially. All rights reserved.  
 Als Betriebsgeheimnis anvertraut. Alle Rechte vorbehalten.

Project: XF9300560502021601\_E\_AA  
 ELCAD-VERSION: 9.0 SP2  
 D:/GDOKU\_AHEAD/AUFRAG/3005605020\_216\_AA/TEMP/XF9300560502021601\_E\_AA.pro  
 ELCAD-Projektstruktur: Circuit diagram | 8 |

Date	02.09.2015
Drawn	SYSTEM
System	
Appr.	

Rev.	Remarks
1	

Name	s. Artus-Symbol
Orig./Repl.f./Repl.by	

**Siemens AG**

PD LD  
NbgVo

SINAMICS S120 CABINET MODULE  
XF9300560502021601

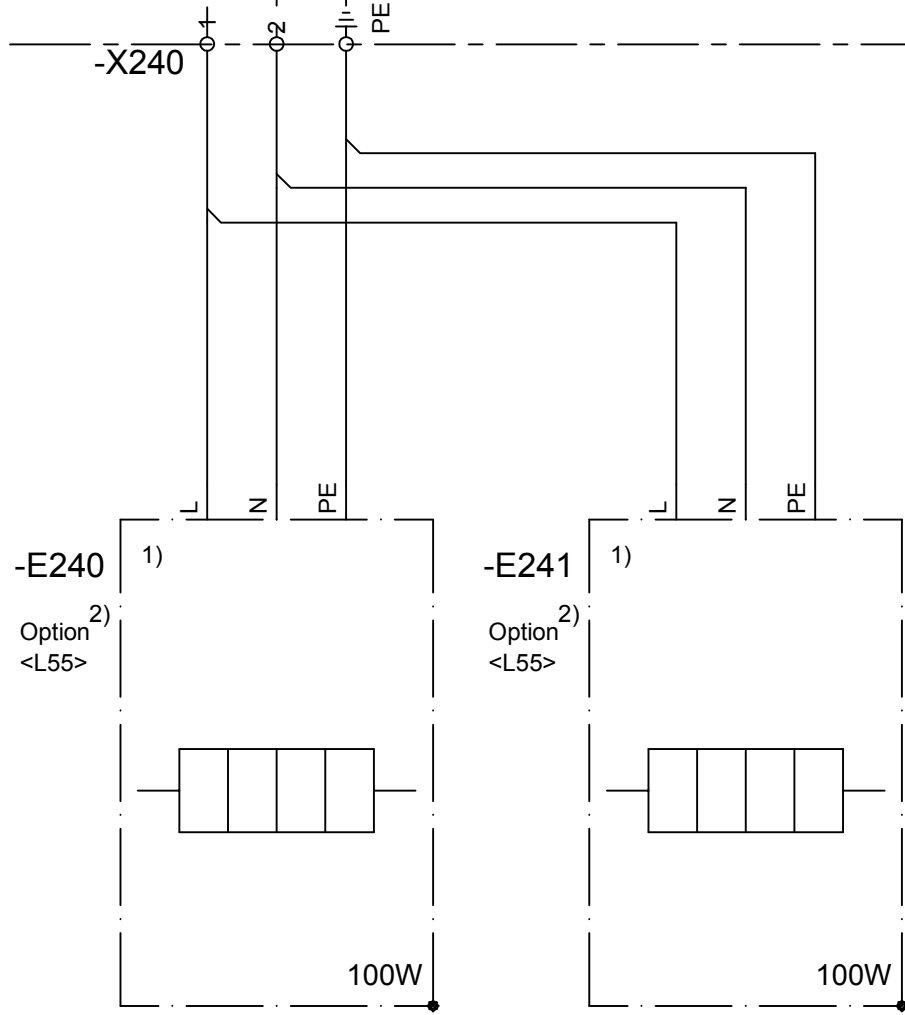
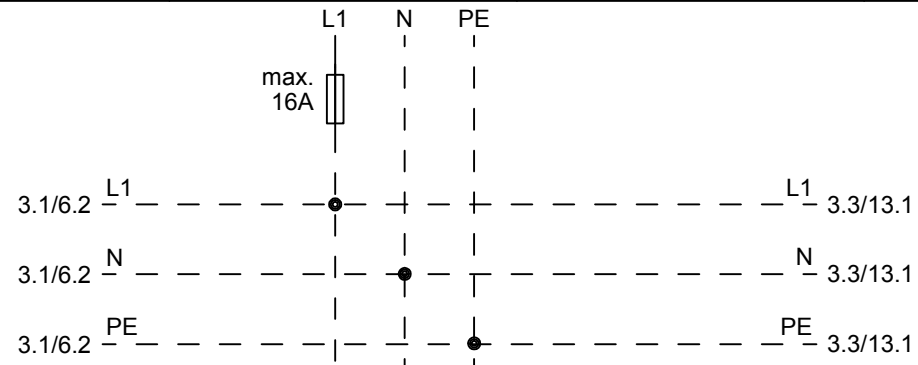
3.2	
+H.A50	
FS-SP	Sheet 8
	14 Sh.

No. <>	
100	6SL37000ZX380AA3 D02+D60+L55+M06+M54+M56+M70+ M75+M82+T60+X30+Y11+Y32



Copyright (C) Siemens AG 2003  
 Conveyed confidentially. All rights reserved.  
 Als Betriebsgeheimnis anvertraut. Alle Rechte vorbehalten.

Project: XF9300560502021601\_E\_AA  
 ELCAD-VERSION: 9.0 SP2  
 D:/GDOKU\_AHEAD/AUFTRAG/3005605020\_216\_AA/TEMP/XF9300560502021601\_E\_AA.pro  
 ELCAD-Projektstruktur: Circuit diagram | 9 |

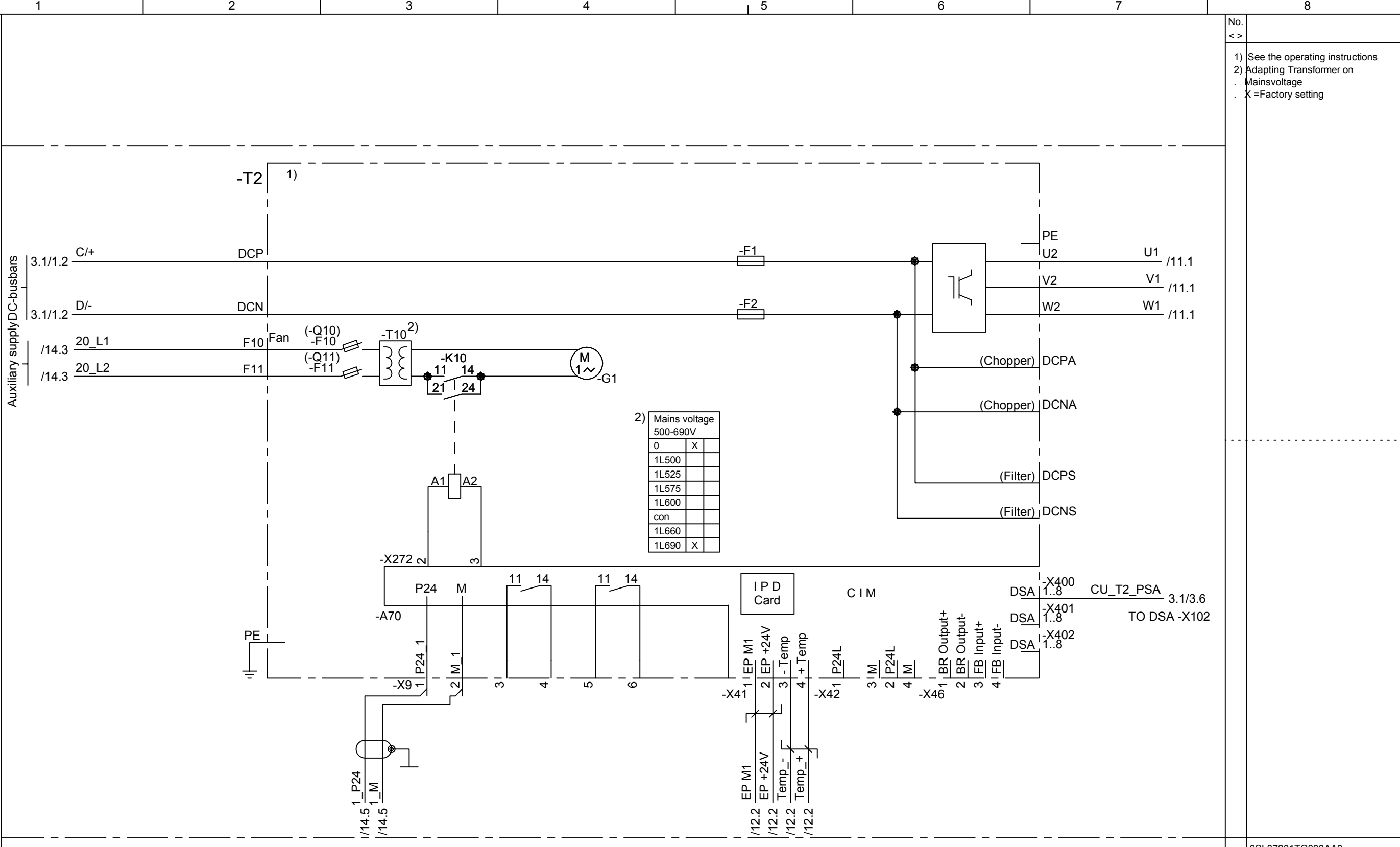


No. <>	
1)	See the operating instructions
2)	Cabinet anti-condensation heating
100	6SL37000ZX380AA3 D02+D60+L55+M06+M54+M56+M70+ M75+M82+T60+X30+Y11+Y32

Date	02.09.2015		SINAMICS S120 CABINET MODULE XF9300560502021601	3.2					
Drawn	SYSTEM			+H.A50					
AA	-	02.09.15	Syst. Appr.						
Rev.	Remarks	Date	Name	Norm	s. Artus-Symbol	Orig./Repl.f./Repl.by	Circuit diagram	FS-SP	Sheet 9 14 Sh.

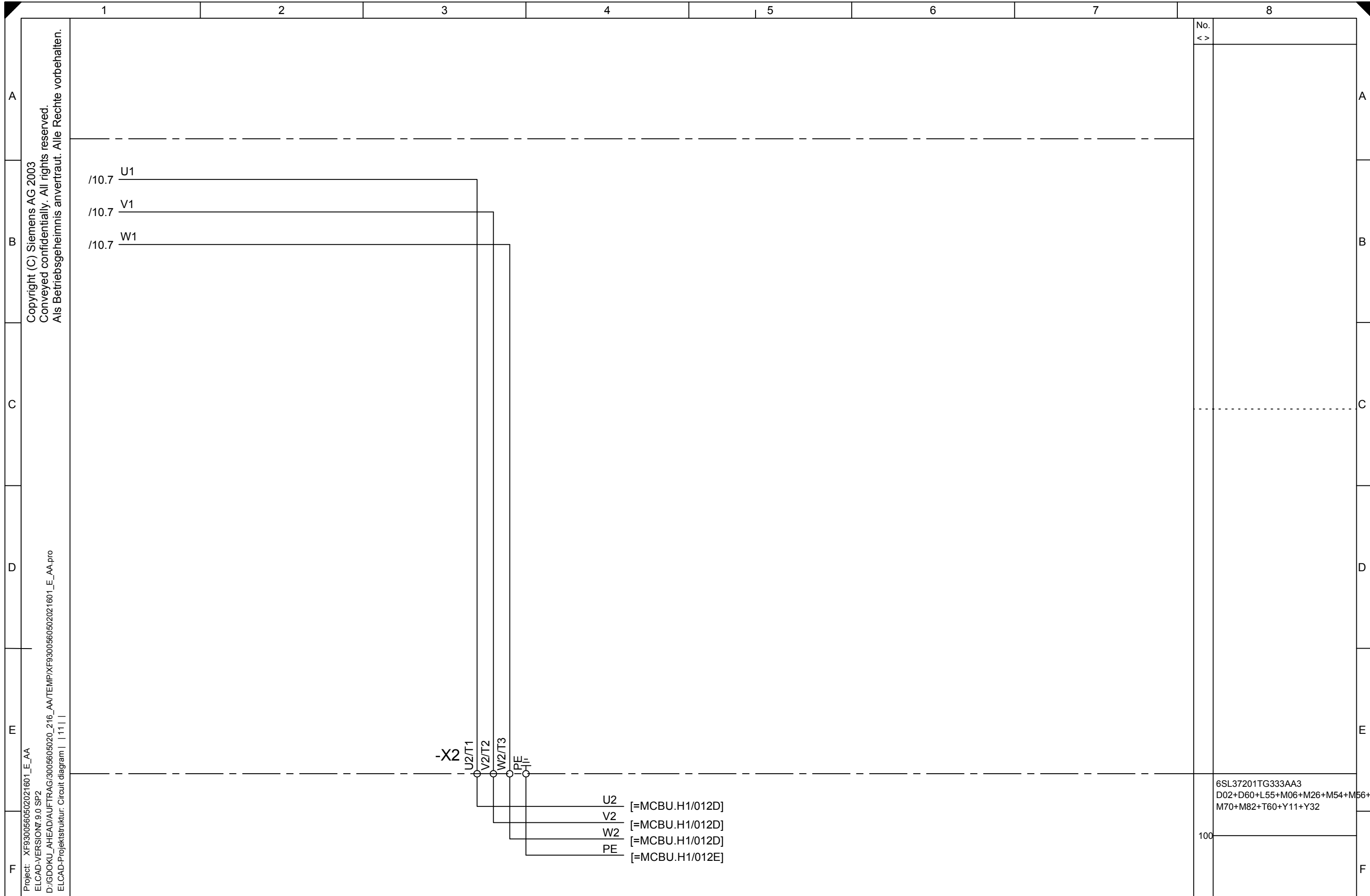
Copyright (C) Siemens AG 2003  
 Conveyed confidentially. All rights reserved.  
 Als Betriebsgeheimnis anvertraut. Alle Rechte vorbehalten.

Project: XF9300560502021601\_E\_AA  
 ELCAD-VERSION: 9.0 SP2  
 D:/GDOKU\_AHEAD/AUFTRAG/3005605020\_216\_AA/TEMP/XF9300560502021601\_E\_AA.pro  
 ELCAD-Projektstruktur: Circuit diagram | 10 |



No. <>  
 1) See the operating instructions  
 2) Adapting Transformer on Mainsvoltage  
 X = Factory setting

Date	02.09.2015	Siemens AG	SINAMICS S120 CABINET MODULE	3.3
Drawn	SYSTEM	PD LD NbgVo	XF9300560502021601	+H.A50
AA	-	02.09.15	Syst. Appr.	Sheet10
Rev.	Remarks	Date	Name Norm	14 Sh
1		2	s. Artus-Symbol	
3		4	Orig./Repl.f./Repl.by	
5		6	Circuit diagram	
7		8	FS-SP	



Copyright (C) Siemens AG 2003  
 Conveyed confidentially. All rights reserved.  
 Als Betriebsgeheimnis anvertraut. Alle Rechte vorbehalten.

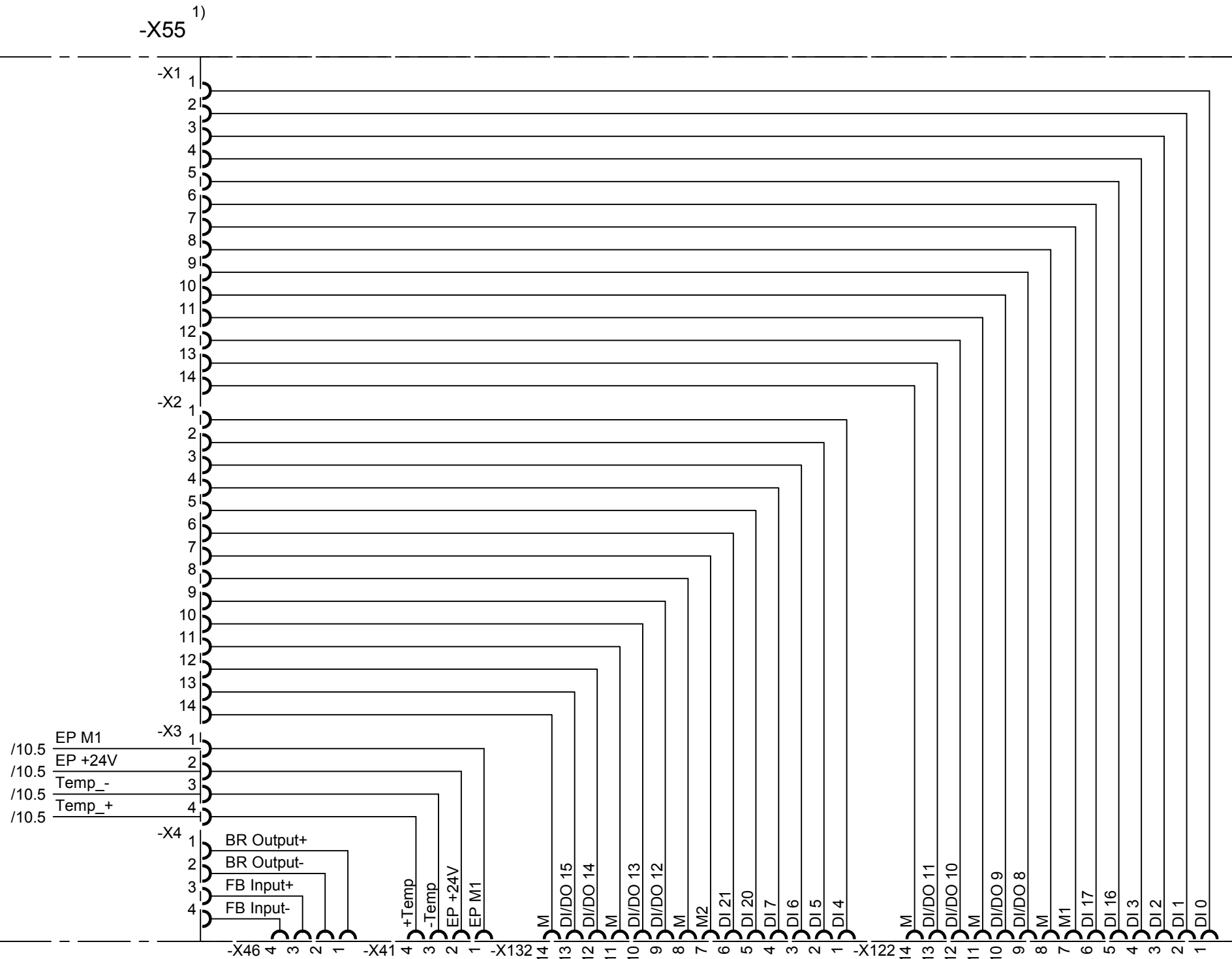
Project: XF9300560502021601\_E\_AA  
 ELCAD-VERSION: 9.0 SP2  
 D:/GDOKU\_AHEAD/AUFTRAG/3005605020\_216\_AA/TEMP/XF9300560502021601\_E\_AA.pro  
 ELCAD-Projektstruktur: Circuit diagram | 11 |

No. <>	
100	6SL37201TG333AA3 D02+D60+L55+M06+M26+M54+M56+ M70+M82+T60+Y11+Y32

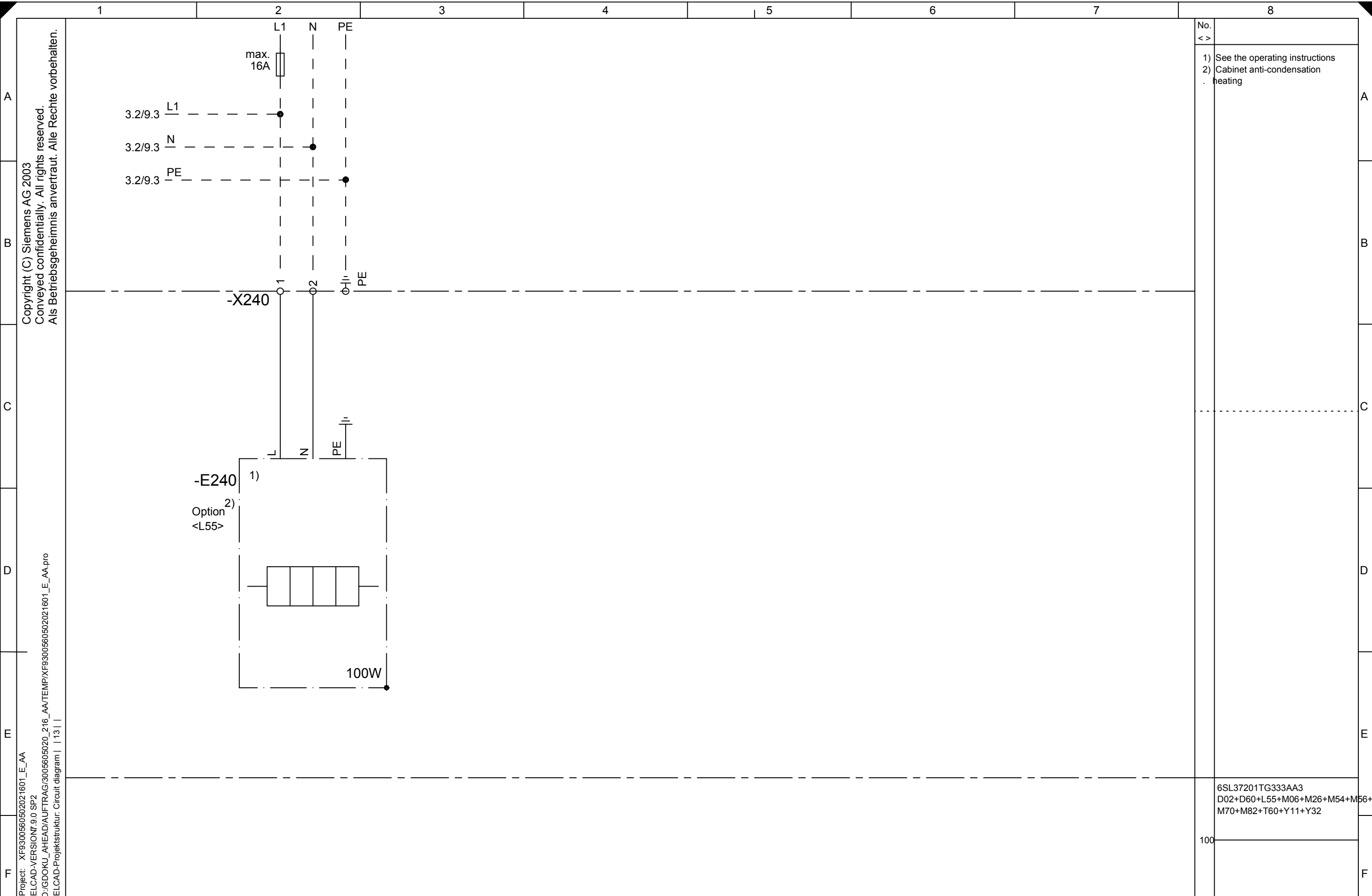
Date	02.09.2015	Siemens AG	SINAMICS S120 CABINET MODULE XF9300560502021601	3.3 +H.A50					
Drawn	SYSTEM								
AA	-	02.09.15	Syst. Appr.						
Rev.	Remarks	Date	Name	Norm	s. Artus-Symbol	Orig./Repl.f./Repl.by	Circuit diagram	FS-SP	Sheet 11 14 Sh.

Copyright (C) Siemens AG 2003  
 Conveyed confidentially. All rights reserved.  
 Als Betriebsgeheimnis anvertraut. Alle Rechte vorbehalten.

Project: XF9300560502021601\_E\_AA  
 ELCAD-VERSION: 9.0 SP2  
 D:/GDOKU\_AHEAD/AUFTRAG/3005605020\_216\_AA/TEMP/XF9300560502021601\_E\_AA.pro  
 ELCAD-Projektstruktur: Circuit diagram | 12 |



No. <>	
1)	See the operating instructions
100	6SL37201TG333AA3 D02+D60+L55+M06+M26+M54+M56+ M70+M82+T60+Y11+Y32



Copyright (C) Siemens AG 2003  
 Conveyed confidentially. All rights reserved.  
 Als Betriebsgeheimnis anvertraut. Alle Rechte vorbehalten.

Project: XF9300560502021601\_E\_AA  
 ELCAD-VERSION 9.0 SP2  
 D:/GDOKU\_AHEAD/AUFTRAG/3005605020\_216\_AA/TEMP/XF9300560502021601\_E\_AA.pro  
 ELCAD-Projektstruktur: Circuit diagram | 13 |

No.  
 <>

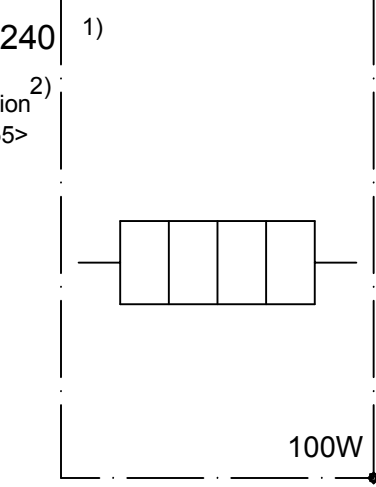
- 1) See the operating instructions
- 2) Cabinet anti-condensation heating

6SL37201TG333AA3  
 D02+D60+L55+M06+M26+M54+M56+  
 M70+M82+T60+Y11+Y32

100

3.3  
 +H.A50

Sheet 13  
 14 Sh.



Date	02.09.2015
Drawn	SYSTEM
Date	02.09.15
Name	s. Artus-Symbol

**Siemens AG**  
 PD LD  
 NbgVo

SINAMICS S120 CABINET MODULE  
 XF9300560502021601

Circuit diagram

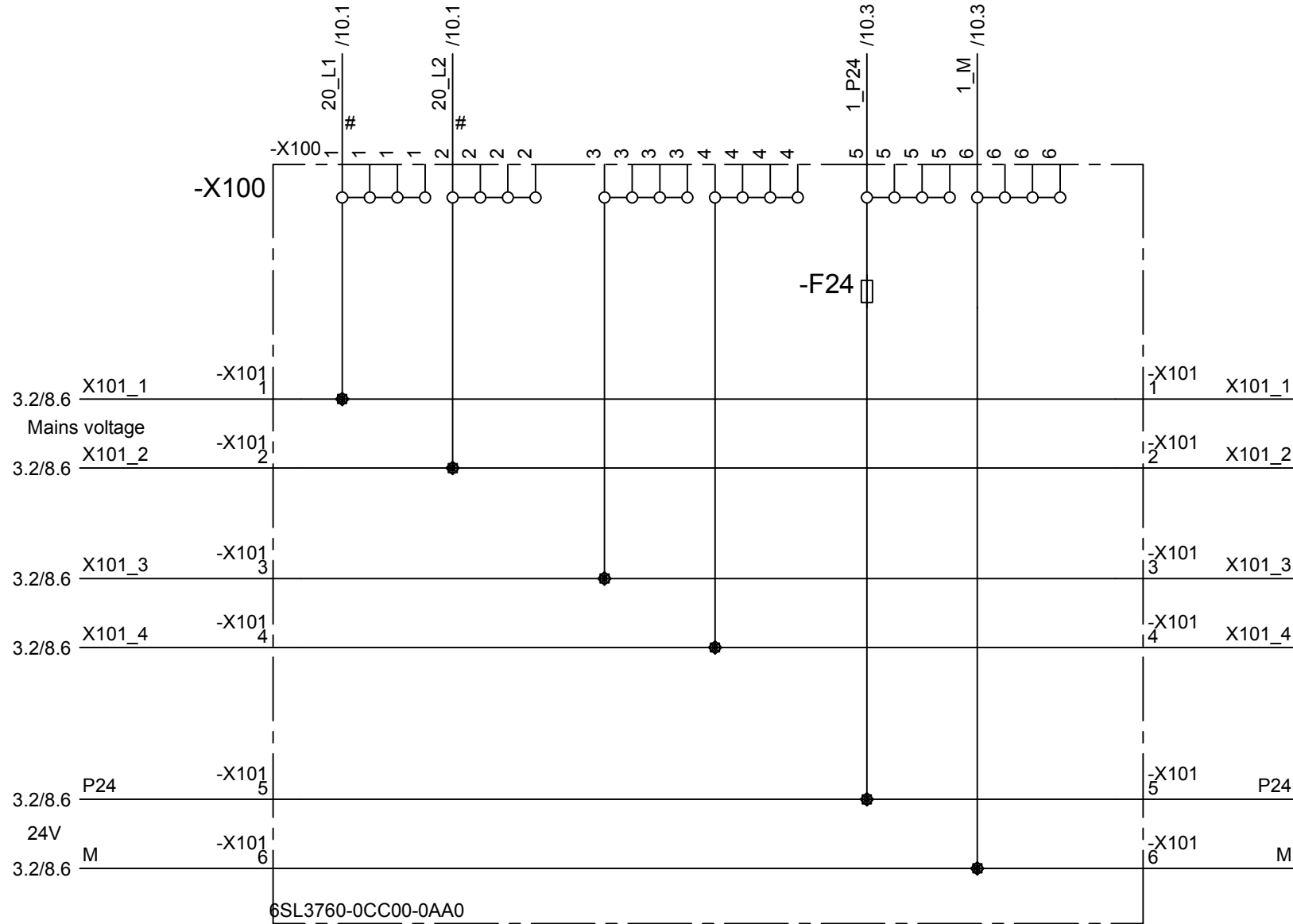
FS-SP

Copyright (C) Siemens AG 2003  
 Conveyed confidentially. All rights reserved.  
 Als Betriebsgeheimnis anvertraut. Alle Rechte vorbehalten.

Project: XF9300560502021601\_E\_AA  
 ELCAD-VERSION: 9.0 SP2  
 D:/GDOKU\_AHEAD/AUFTRAG/3005605020\_216\_AA/TEMP/9300560502021601\_E\_AA.pro  
 ELCAD-Projektstruktur: Circuit diagram | 14 |

Auxiliary supply

230V



Auxiliary supply

No. <>	
#	Short circuit-proof configuration
6SL37201TG333AA3 D02+D60+L55+M06+M26+M54+M56+ M70+M82+T60+Y11+Y32	100
3.3	
+H.A50	

Date	02.09.2015	Siemens AG	SINAMICS S120 CABINET MODULE XF9300560502021601	3.3
Drawn	SYSTEM			
AA	-	02.09.15	Syst. Appr.	
Rev.	Remarks	Date	Name	Norm
1			s. Artus-Symbol	Orig./Repl.f./Repl.by
Circuit diagram		FS-SP		Sheet 14